

**PoE compact external pushbutton panel**

374007

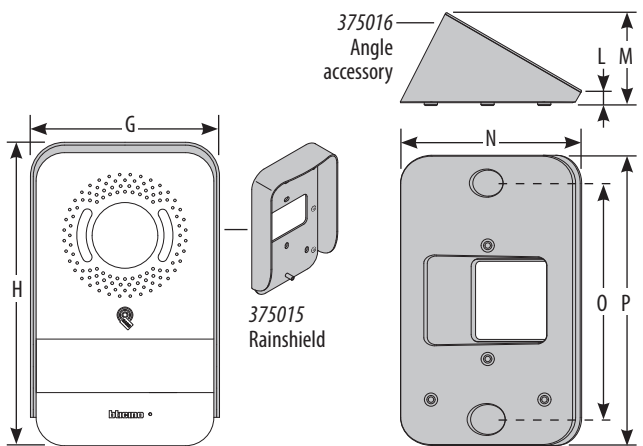
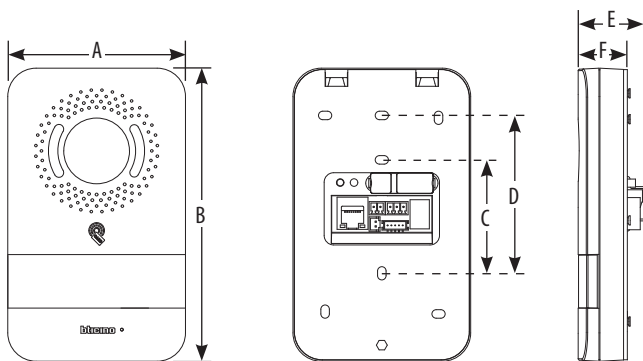
**Description**

Compact external pushbutton panel with badge reader and physical key for calls (configurable double or single call).  
 The video entrance panel can be supplied by means of PoE (power over Ethernet) standard IEEE 802.3at (PoE+), PoE (power over Ethernet) 24V using item 375002 or directly with the power supply 375005.  
 Wall installation thanks to the bracket, with rainshield, compatible with 502E or 503E boxes.

**Technical data**

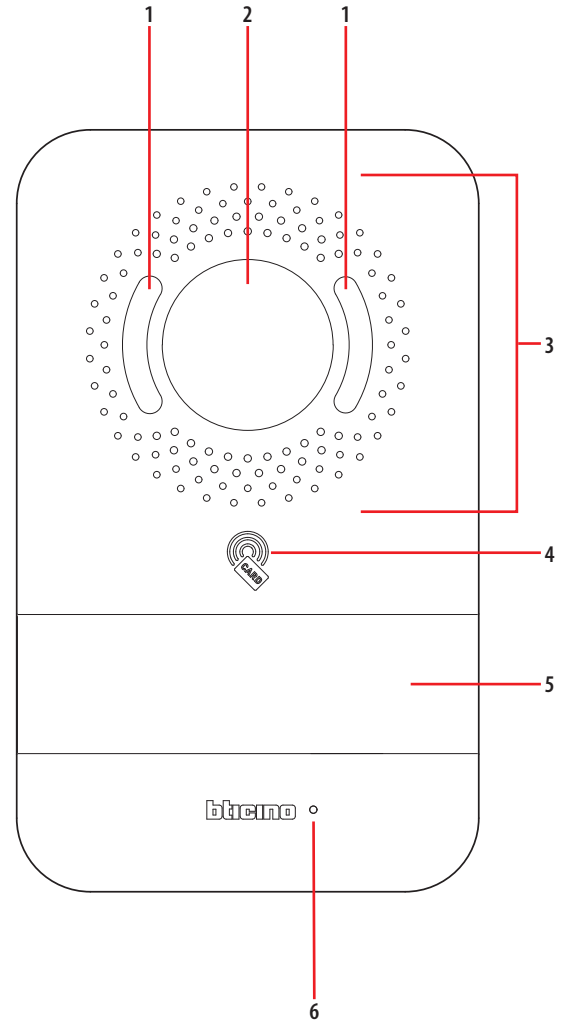
Voltage:	24 Vcc / POE Standard IEEE 802.3af
Maximum consumption:	0,32A / 0,18A
C NC NO contact output:	30 Vdc/1A Max.
Max. cable section for clamps:	0.8 mm <sup>2</sup>
Operating temperature:	(- 40) – (+ 70) °C
IP degree of protection:	54
IK degree of protection:	07
IP degree of protection:	90 %
Camera resolution:	video trasmitted at 720p
Camera viewing field angle:	H= 72°; V= 35°
Badge reader Frequency:	13.56 MHz
Badge reader transmission power:	< 42 dBuA/m @ 10 m

**Dimensional data**



<b>A</b>	<b>B</b>	<b>C</b>	<b>D</b>	<b>E</b>	<b>F</b>	
94 mm	155 mm	60 mm	83 mm	35.3 mm	26 mm	
<b>G</b>	<b>H</b>	<b>L</b>	<b>M</b>	<b>N</b>	<b>O</b>	<b>P</b>
100 mm	145.5 mm	8 mm	49 mm	96 mm	126 mm	153.5

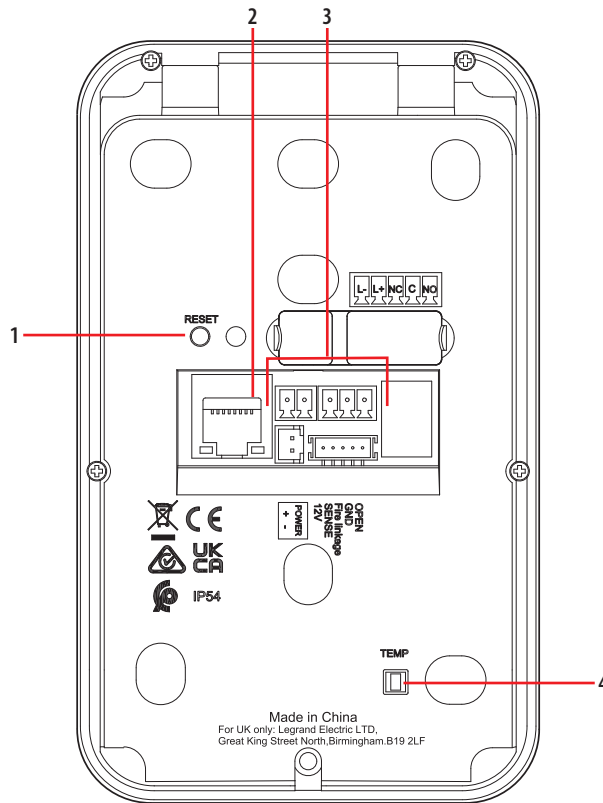
Front view



**Legend**

1. LEDs for the lighting of the shooting field and light sensor
2. Camera
3. Loudspeaker
4. Badge reader for door lock opening
5. Double/single call key that can be configured by means of the web server
6. Microphone

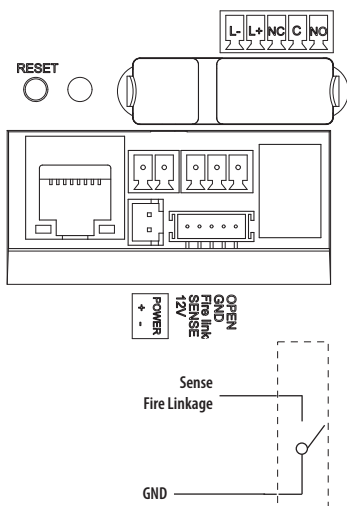
Rear view



**Legend**

- 1. Reset pushbutton
- 2. RJ45 Connector (\*)
- 3. Connection clamps
- 4. Tamper switch

(\*) PoE standard IEEE 802.3af or PoE 24Vcc using ref. 375002. Connect the cat5/5e/6 FTP or cat5/5e/6 UTP cable with ferrite supplied to the connector



**Connection clamps**

L-/L+ (LOCK- / LOCK+)	Electric door lock connection and control (12V - 4A impulsive on 30 Ohm maximum)
NC / C / NO	Interlocked contact
+ / - POWER	Additional power supply clamps (not polarized)
12V	Access control devices power supply
SENSE / GND	Door lock status signal input
FIRE Linkage / GND	Local door lock release pushbutton connection for firealarm system
GND	System common ground terminal
OPEN / GND	Third party access control signal input for door lock opening (+12Vdc pulse)

**Configuration**

For device configuration and installation and for any other information, refer to the IP DES SYSTEM Software Manual and documentation that can be downloaded from the on-line catalogue of the device.

Wiring diagrams

CABLES LEGEND

LAN PoE BTicino —

LAN PoE Standard —

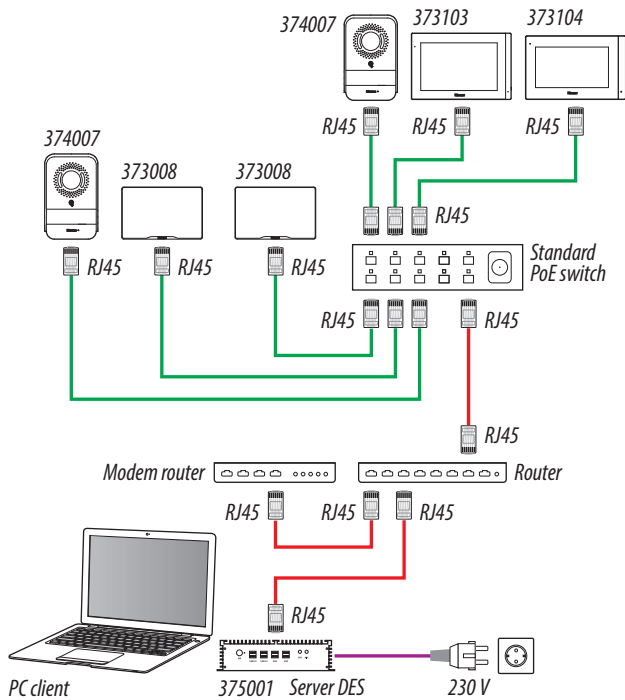
LAN Ethernet —

Copper cables —

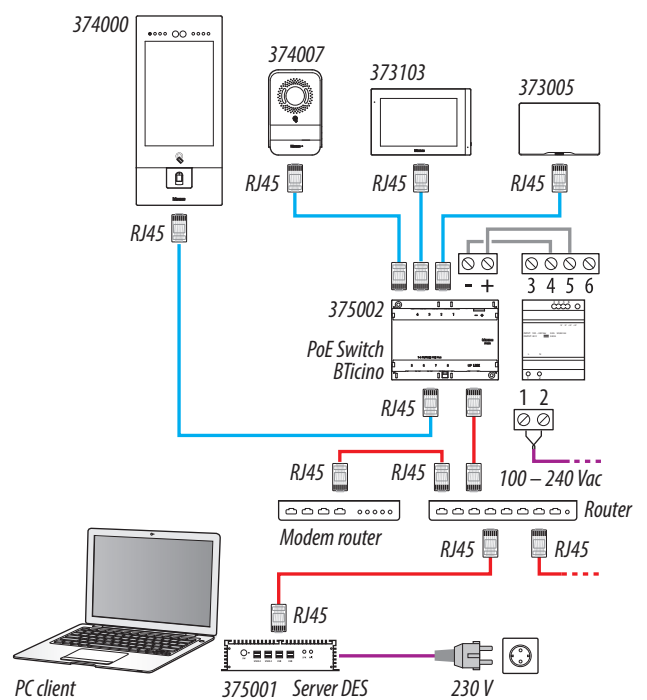
2 x Copper cables —

It is possible to use three different types of connection according to installation situation:

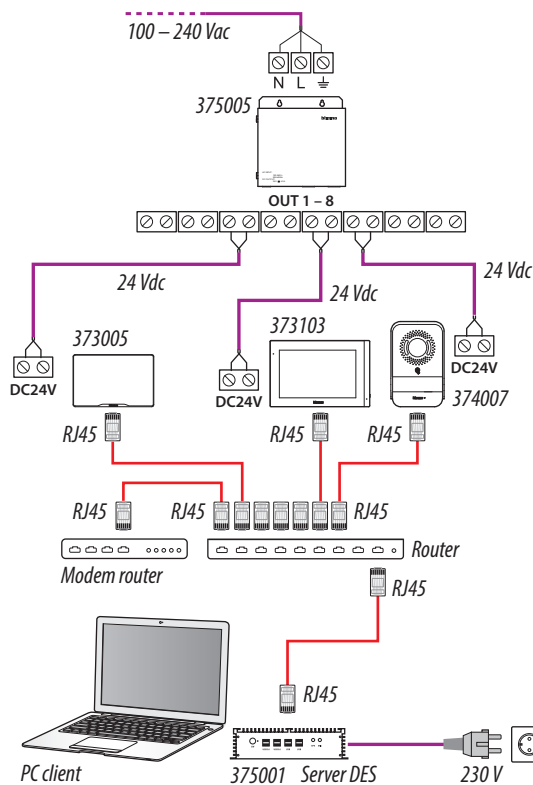
A - Diagram with PoE Standard power supply



B - Diagram with power supply by BTicino PoE Switch



C - Diagram with local power supply



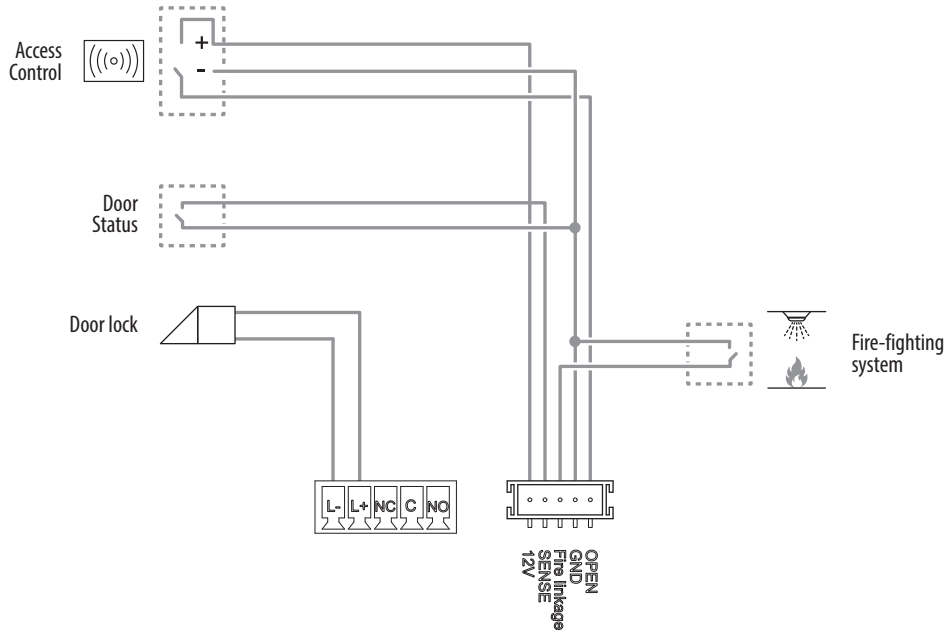
**Attention:** Connect the cat5/5e/6 FTP or cat5/5e/6 UTP cable with ferrite supplied to the connector.

**Attention:** Do not directly connect PoE ports to an unsuitable network interface, such as a device powered by a different voltage. Connect the UP LINK port to a suitable port, never to a PoE port.

**Note:** To connect the devices it is possible to use all three types of wiring (diagram A or diagram B or diagram C) or even mixed ones.

Available functions

CABLES LEGEND	Copper cables
---------------	---------------



**Attention:** Do not directly connect PoE ports to an unsuitable network interface, such as a device powered by a different voltage. Connect the UP LINK port to a suitable port, never to a PoE port.

**Note:** To connect the devices it is possible to use all three types of wiring (diagram A or diagram B or diagram C) or even mixed ones.