

Wi-Fi 7" touch internal unit with built-in Smart Home

373104

Description

Wi-Fi 7" touch internal unit with built-in Smart Home and SOS pushbutton. Using the touch display, it is possible to answer calls, open the door lock, call other apartments and the guard station, view alarm and call logs, leave audio messages, receive messages from the guard station, adjust settings (e.g. brightness, screensaver, wallpaper and ringtone) and view date/time information. Alarm management can be easily integrated thanks to 8 dedicated contacts provided. From the internal unit, it is also possible to manage Smart Home devices via the integrated Home+Control app. Integration with IP CCTV cameras allows viewing the IP cameras in the apartment and common area from the video internal unit. A dedicated interface also allows control of the lift. The video internal unit can be supplied by means of PoE (power over Ethernet) standard IEEE 802.3at (PoE+), PoE (power over Ethernet) 24V using item 375002 or directly with the power supply 375005. Wall mounted with supplied bracket.

Technical data

Voltage: 24 Vcc / PoE standard IEEE 802.3at (PoE+)
 Maximum consumption: 0.57 A / 0.28 A
 Max. cable section for clamps: 0.8 mm²
 Operating temperature: (- 10) – (+ 55)°C
 IP degree of protection: IP30
 Maximum relative humidity: 90 %
 Display resolution: 1024 x 600 dpi
 Wireless device in compliance with IEEE 802.11 b/g/n/ax standard, frequency 2.412 – 2.472 GHz and 5.170 – 5.835 GHz
 Transmission power < 20 dBm. WEP/WPA/WPA2/WPA3 safety protocol

Update your firewalls to allow media traffic to flow to and from your home:
 - For media (audio and video), set up outbound UDP ports 3478 and 0-65536.
 - For web traffic and user authentication, use outbound UDP and TCP ports 80, 443, 5017 and 25050.

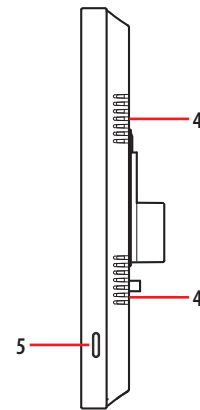
This device includes the Open Source software.

Warning: in case of a power failure, the device does not work and cannot be reached, any collection of personal data is interrupted.

Front view



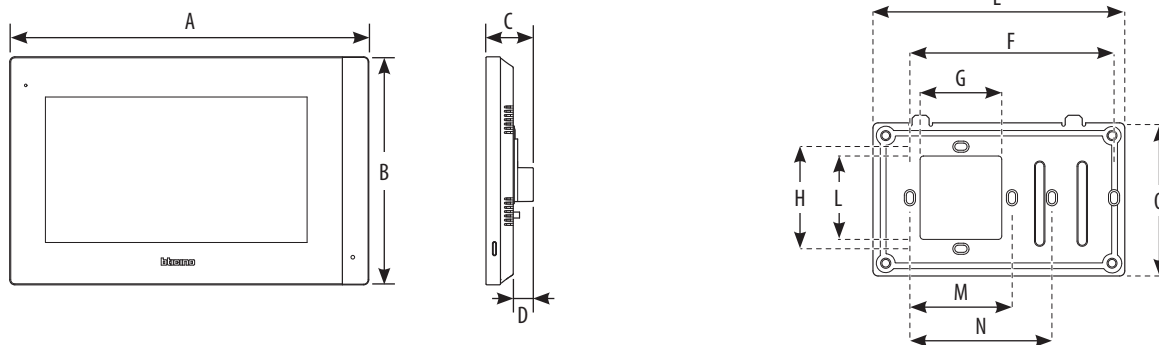
Side view



Legend

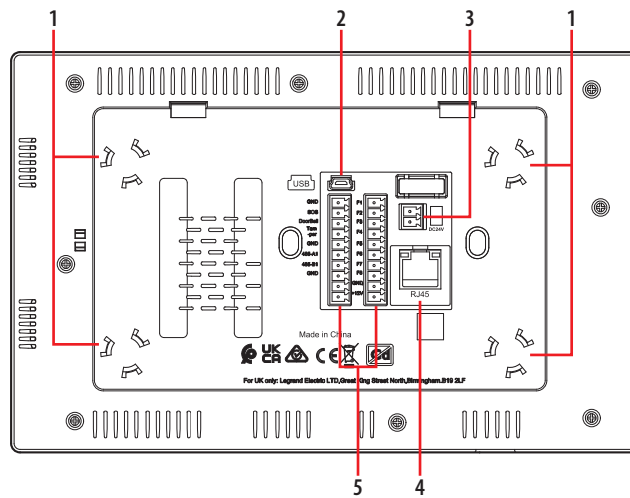
1. Microphone
2. Display 7" (touch screen)
3. Notification LED
LED flashing = notification of a message
4. Loudspeaker
5. SOS push button

Dimensional data



A	B	C	D	E	F	G	H	L	M	N	O
211 mm	134 mm	28 mm	12 mm	148 mm	120.5 mm	50 mm	60 mm	50 mm	60 mm	83.5 mm	90 mm

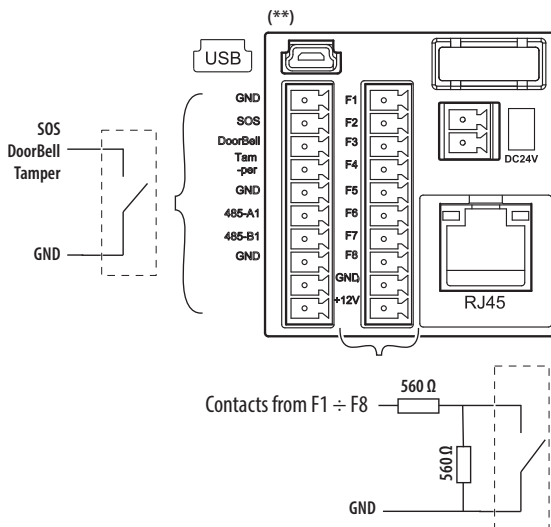
Rear view



Legend

1. Fixing magnets for bracket
2. USB Connector (not used)
3. Additional power supply clamps - item 375005 (non-polarised)
4. RJ45 Connector (*)
5. Connection clamps (**)

(*) PoE standard IEEE 802.3at (alternative Mode A only) or PoE 24Vcc using ref. 375002. Connect the cat5/5e/6 FTP or cat5/5e/6 UTP cable with ferrite supplied to the connector.



(**) Connection clamps

SOS – GND	Additional SOS call
DoorBell – GND	Door bell call
Tamper – GND	Tamper
GND	
485-A1	Future use
485-B1	
GND	
F1 – GND	Infrared
F2 – GND	Magnetic contact
F3 – GND	Smoke sensor
F4 – GND	Gas sensor
F5 – GND	Water sensor
F6 – GND	
F7 – GND	Magnetic contact

All contacts must be connected to GND and the corresponding dedicated input. The functions and wiring mode of the inputs are set by default as shown in the table and diagram, they can be customized using the software and/or straight from the device. Tamper and Doorbell input are not customizable and SOS-GND is disable by default.

Configuration

For device configuration and installation and for any other information, refer to the IP DES SYSTEM Software Manual and documentation that can be downloaded from the on-line catalogue of the device.

Wiring diagrams

CABLES LEGEND

LAN PoE BTicino —

LAN PoE Standard —

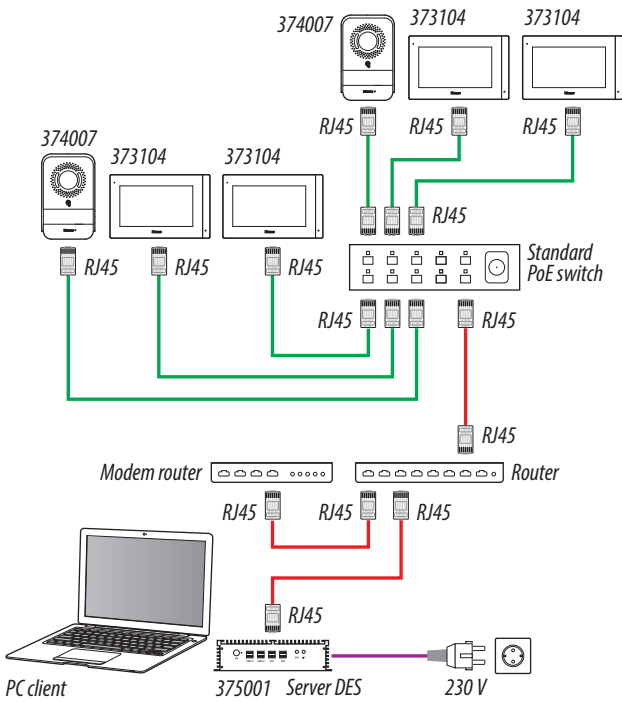
LAN Ethernet —

Copper cables —

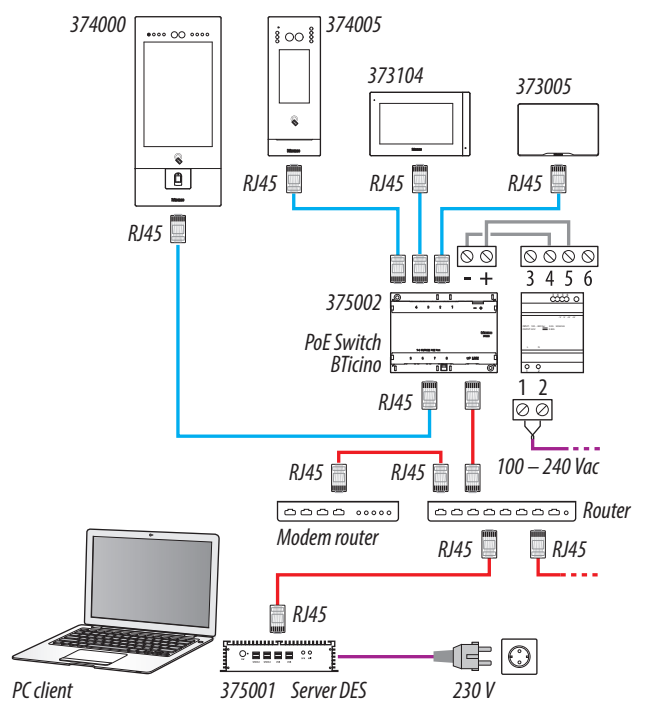
2 x Copper cables —

It is possible to use three different types of connection according to installation situation:

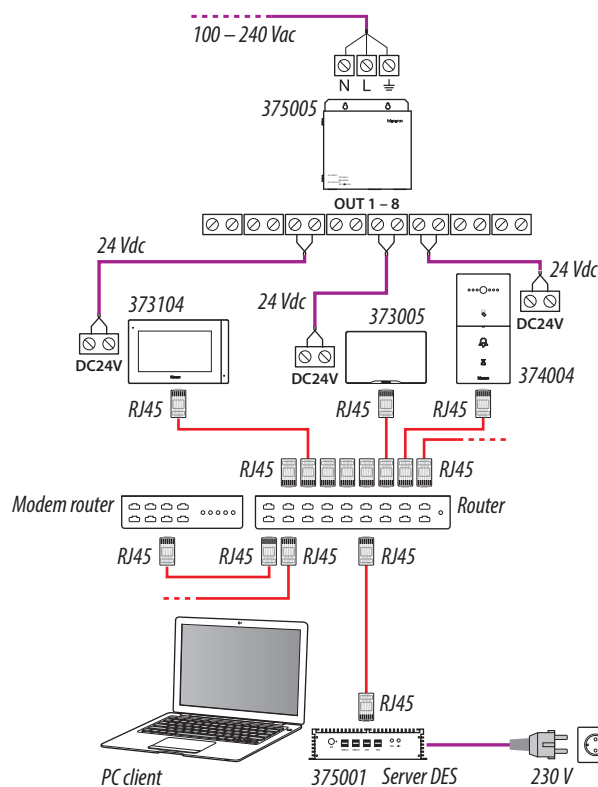
A - Diagram with PoE Standard power supply



B - Diagram with power supply by BTicino PoE Switch



C - Diagram with local power supply

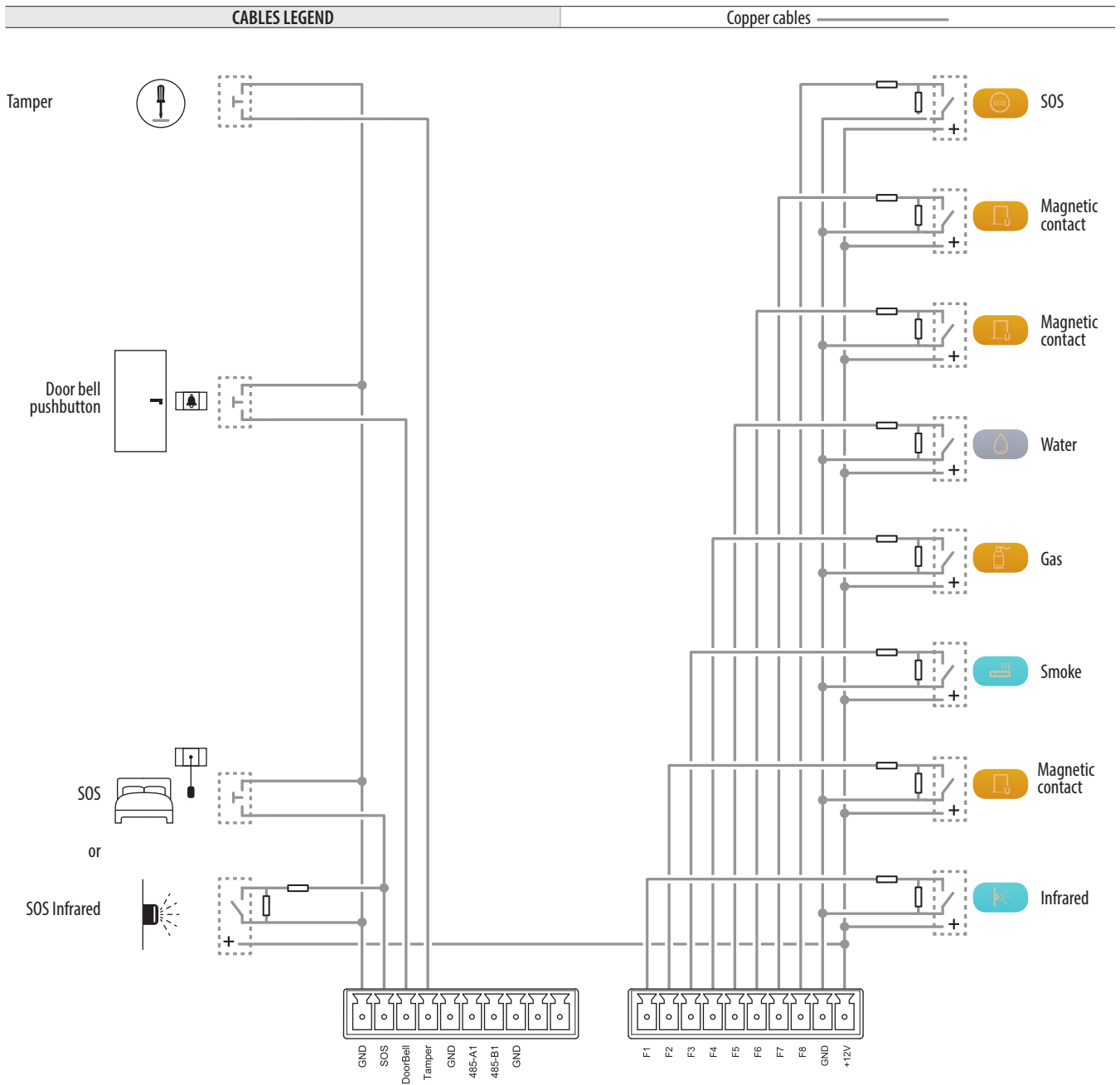


Attention: Connect the cat5/5e/6 FTP or cat5/5e/6 UTP cable with ferrite supplied to the connector.

Attention: Do not directly connect PoE ports to an unsuitable network interface, such as a device powered by a different voltage. Connect the UP LINK port to a suitable port, never to a PoE port.

Note: To connect the devices it is possible to use all three types of wiring (diagram A or diagram B or diagram C) or even mixed ones.

Available functions



Attention: Do not directly connect PoE ports to an unsuitable network interface, such as a device powered by a different voltage. Connect the UP LINK port to a suitable port, never to a PoE port.

Note: The alarm functions are the default ones. It is possible to modify them in the appropriate section.

Note: Use the supplied resistors (560 Ohm ±5%, 1/4 W).

Note: To connect the devices it is possible to use all three types of wiring (diagram A or diagram B or diagram C) or even mixed ones.

Main functions

From the Home Page of the device, it is possible to access the main functions, as described below:



Lift Control

The lift can be controlled both using the favourite key in the home page, and when receiving calls from the EP and/or commands from the IP DES video door entry system. This function requires integration with interfaces 375010/375013.

Call section

In the Calls section, it is possible to call other residents and the guard station, view the call log with call details and save the favourite contacts.

Message section

In the Messages section, it is possible to view messages with text, images and videos sent by the service provider (advertising, community and emergency messages), check audio messages from the answering machine with instant photos left by the visitor and audio messages left by another apartment resident on the video internal unit (family message), access the log.

Accesses section

The Accesses function allows the management of the direct automatic switching on of the entrance panel and the display of the CCTV cameras of the common areas and the individual apartment.

It also allows to control actuators to manage door locks or loads.

Control section

This section can be used to manage your smart home automation using the integrated Home + Control app.

This function requires a WI-FI connection, a gateway and/or a MyHOME Server.

Alarm section

The Alarms function allows management of alarms from sensors connected to clamps F1 to F8, for example infrared sensor, gas sensor, SOS sensor, leakage sensor, etc.