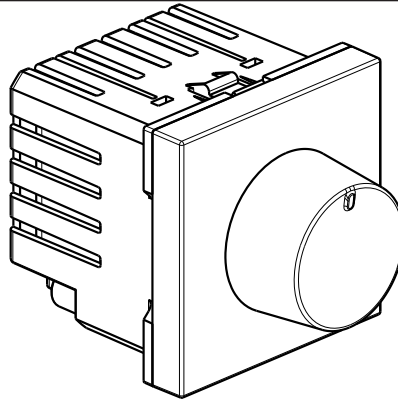


**Fan step controller**



**Use**

Ceiling Fan controller for lower power ceiling fans (typically 70-90W).  
No. of steps: 5  
Overcurrent protection on fan controller line must be max 4 A.

**Range**

Designation	Cat. No.
Fan controller 240V 100W 50Hz. 2 modules.	<input type="checkbox"/> YW4017 <input type="checkbox"/> YG4017 <input type="checkbox"/> YD4017

Colors:  White  Stone  Dark

**Connection**

Terminal type: screw terminals

**Technical characteristics**

**- Protection Index**

Penetration by solid bodies/liquid: IP40D

**- Mechanical characteristics**

Impact test: IK 04

**- Material characteristics**

Cover plate, knob and base: PC (Polycarbonate)

UV resistant

Self extinguishing: 850°C / 30s for insulating parts holding live parts in place  
650°C / 30s for other parts made of insulating materials

**- Electrical characteristics**

Voltage: 240 V a.c.

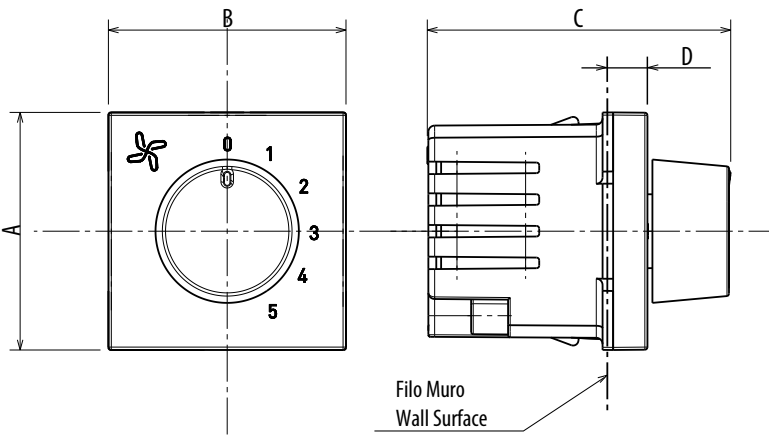
Power: 100 W

**- Climatic characteristics**

Storage temperature: - 10° C to + 70° C

Use temperature: - 5° C to + 35° C

**Overall dimensions (mm)**



	A	B	C	D
<b>Y_4017</b>	45	45	57.5	7.6

**Cleaning**

Clean the surface with a cloth.

Do not use acetone, tar-removing cleaning agents or trichloroethylene.

Caution: Always test before using special cleaning products.

**Standards and approvals**

Compliance with standards IS 11037, IEC 60669-2-1

Refer to e.catalogue.