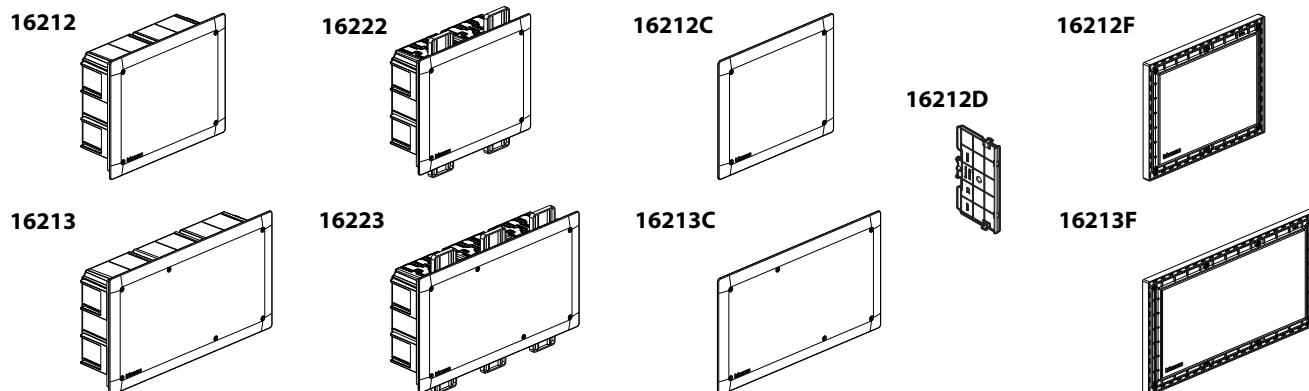


**Junction wall-boxes and accessories**



**Use**

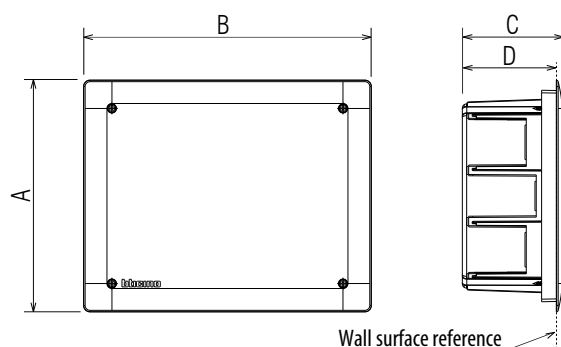
Junction boxes for masonry and platerboard applications. Accessory can be added to partition the box. Accessory can be added to have a full-flush installation on masonry and plasterboard (single or double panel).

**Range**

Designation	Cat. Nos.
Junction box 2 partitions for masonry	<input type="checkbox"/> 16212
Cover junction box 2 partitions	<input type="checkbox"/> 16212C
Separator	<input checked="" type="checkbox"/> 16212D
Accessory for full-flush installation for 2 partitions box	<input type="checkbox"/> 16212F
Junction box 3 partitions for masonry	<input type="checkbox"/> 16213
Cover junction box 3 partitions	<input type="checkbox"/> 16213C
Accessory for full-flush installation for 3 partitions box	<input type="checkbox"/> 16213F
Junction box 2 partitions for plasterboard	<input type="checkbox"/> 16222
Junction box 3 partitions for plasterboard	<input type="checkbox"/> 16223

Colours code:  White  Grey

**Overall dimensions (mm)**



	A	B	C	D
16212	181,2	225	78	73,5
16212C	181,2	225	6,3	1,8
16213	181,2	323	78	73,5
16213C	181,2	323	6,3	1,8
16222	217	225	78	73,5
16223	217	323	78	73,5

**Technical characteristics**

- **Protection index**  
- considering a complete installation, penetration by solid bodies/liquid: IP40
- **Mechanical characteristics**  
- Impact test: IK 08
- **Material characteristics**  
- Materials:  
masonry boxes body: PS  
plasterboard boxes body, separator, full-flush accessories: PC+ABS  
cover: ABS
- Halogen free
- UV resistant.
- Self-extinguishing:  
masonry boxes : 650° C / 30 s  
plasterboard boxes : 850° C / 30 s
- **Climatic characteristics**  
- Storage temperature: - 10° C to + 70° C  
- Use temperature: - 5° C to + 35° C

**Standards and approvals**

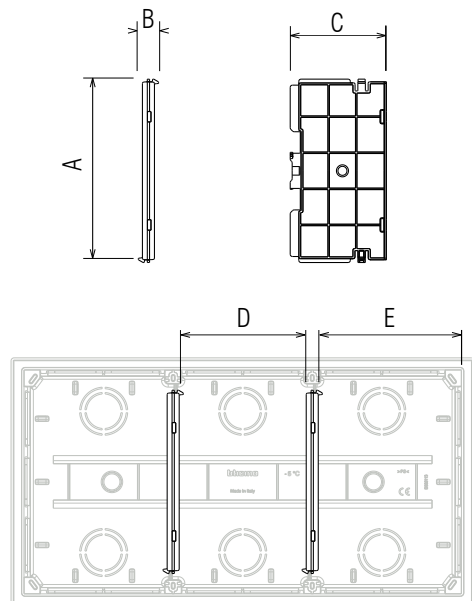
Compliance with standards IEC CEI EN 60670-1  
Refer to e.catalogue.

**Cleaning**

Clean the surface with a cloth.  
Do not use acetone, tar-removing cleaning agents or trichloroethylene.  
**Caution: Always test before using special cleaning products.**

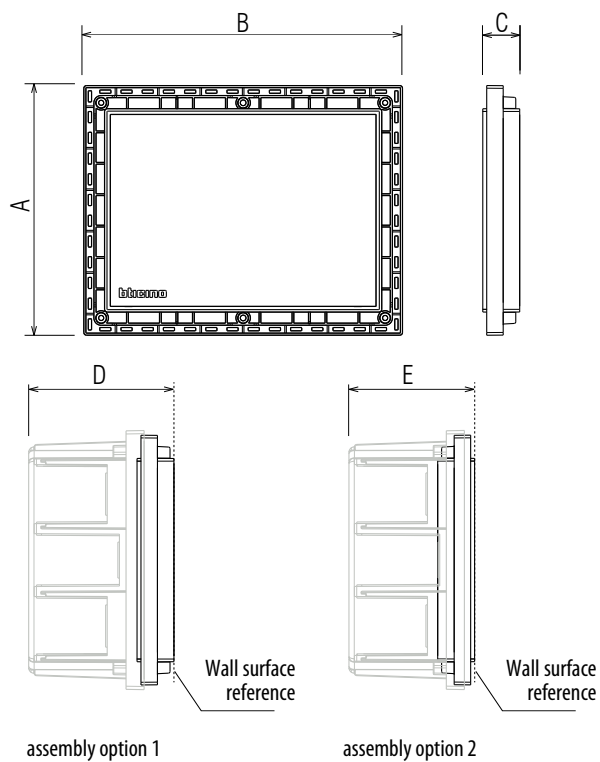
## Junction wall-boxes and accessories

### Accessory separator 16212D



	A	B	C	D	E
16212D	77,3	27,6	43	85	95

### Accessory for full-flush installation 16212F, 16213F



	A	B	C	D	E
16212F	159	203	23,5	92,5	80
16213F	159	301	23,5	92,5	80