

Use

Socket outlets for: Israeli standard plugs.

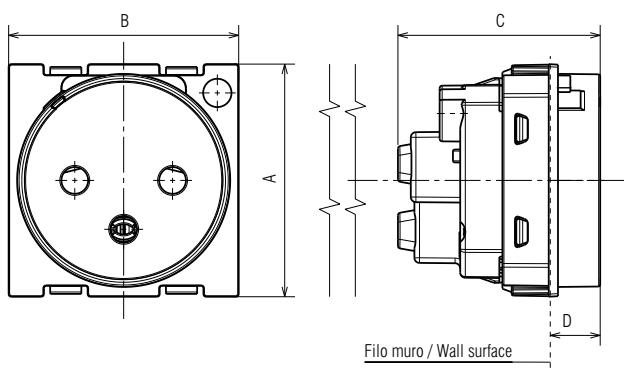
Range

Designation	Item	Related cover
Socket 2P+E 16A 250 V a.c.	<input type="checkbox"/> KW4183	<input type="checkbox"/> KW04
	<input type="checkbox"/> KM4183	<input type="checkbox"/> KM04
	<input type="checkbox"/> KG4183	<input type="checkbox"/> KG04
	<input type="checkbox"/> KS4183	<input type="checkbox"/> KS04
	<input type="checkbox"/> KB4183	<input type="checkbox"/> KB04
	<input type="checkbox"/> KC4183	<input type="checkbox"/> KC04

Colours code:

<input type="checkbox"/> White	<input type="checkbox"/> Steel
<input type="checkbox"/> Black	<input type="checkbox"/> Bronze
<input type="checkbox"/> Sand	<input type="checkbox"/> Champagne

Overall dimensions (mm)



	A	B	C	D
..4183.	45.2	44.7	39.3	9.7

Connection

Terminal type: screw clamp
Terminal capacity: 2 x 4 mm² max
Stripping length: 11 mm
Compatible with flexible or rigid cables

Technical characteristics

- Protection index
(considering a complete installation, including cover plate)
Penetration by solid bodies/liquid: IP20D

- Mechanical characteristics
Impact test: IK 04

- Material characteristics
Material:
Case and Key cover: PC (Polycarbonate)

Halogen free.

UV resistant.

Self-extinguishing:
850° C / 30 s for insulating parts holding live parts in place
650° C / 30 s for other parts made of insulating materials

- Electrical characteristics

Voltage: 250 VAC
Current: 16 A

- Climatic characteristics

Storage temperature: - 10° C to + 70° C
Use temperature: - 5° C to + 35° C

Cleaning

Clean the surface with a cloth.
Do not use acetone, tar-removing cleaning agents or trichloroethylene.
Caution: Always test before using special cleaning products.

Standards and approvals

Compliance with standards IEC 60884-1
SI 32 part 1.1
Refer to e.catalogue.