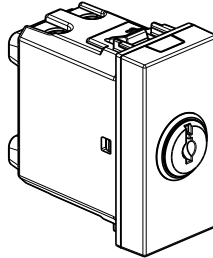


MatixGo

JW4012OFF - JG4012OFF - JB4012OFF
JW4013OFF - JG4013OFF - JB4013OFF
JW4012C - JG4012C - JB4012C
JW4022C - JG4022C - JB4022C

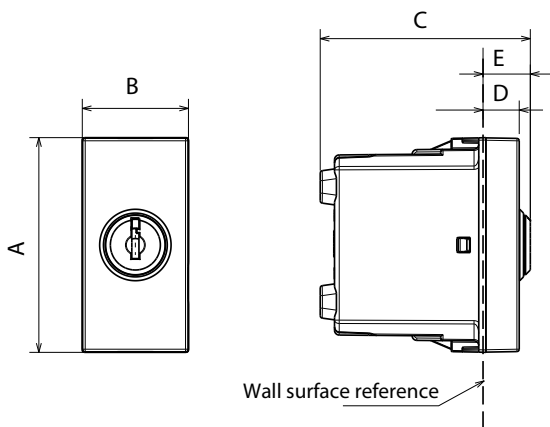
Switches with Key



Use	Connection
Key controls for lighting and other controls	Terminal type: screw clamp Terminal capacity: 2 x 4 mm ² max Stripping length: 11 mm Compatible with flexible or rigid cables
Range	Technical characteristics
Designation	Item
1-Way switch 2P 16AX - 250Va.c. with key - the key can be removed in OFF positions - the keys are different for the various devices 1 module	<ul style="list-style-type: none"> □ JW4012OFF ■ JG4012OFF ■ JB4012OFF
Push button 2P 16AX - 250Va.c. with key - the key can be removed in OFF positions - the keys are different for the various devices 1 module	<ul style="list-style-type: none"> □ JW4013OFF ■ JG4013OFF ■ JB4013OFF
1-Way switch 2P 16AX - 250Va.c. with key - the key can be removed in both positions - the keys are the same for the various devices 1 module	<ul style="list-style-type: none"> □ JW4012C ■ JG4012C ■ JB4012C
2-Way switch 1P 10AX - 250Va.c. with key - the key can be removed in both positions - the keys are the same for the various devices 1 module	<ul style="list-style-type: none"> □ JW4022C ■ JG4022C ■ JB4022C

Colors: □ White ■ Grey ■ Black

Overall dimensions (mm)



	A	B	C	D	E
..401.. - ..4022	45.1	22.5	44.1	7.6	9.9

- **Protection index:**
(considering a complete installation, including cover plate)
 - Penetration by solid bodies/liquid: IP40
 - Impact test: IK04
- **Material characteristics:**
 - Case: PC (polycarbonate)
 - Key cover : PC/ABS
 - Halogen Free
 - UV resistant
 - Self-extinguishing:
 - 850° C / 30 s for insulating parts holding live parts in place
 - 650° C / 30 s for other parts made of insulating materials
- **Electrical characteristics**
Voltage: 250 V a.c.
Current: 16 AX (J_401..) / 10AX (J_4022..)
- **Climatic characteristics**
Storage temperature: - 10° C to + 70° C Use
temperature: - 5° C to + 35° C

Cleaning

Clean the surface with a cloth.
Do not use acetone, tar-removing cleaning agents or trichloroethylene.
Caution: Always test before using special cleaning products.

Standard and approvals

Compliance with standards IEC/EN 60669-1.
Refer to e.catalogue.