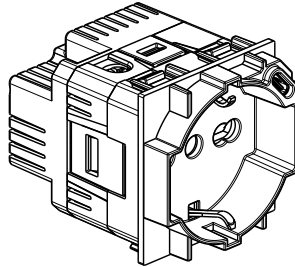


2P+E + USB type C with PD 18W mixed socket outlet



Use

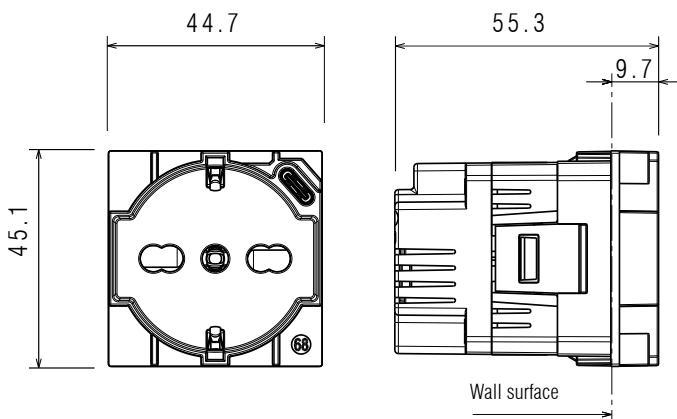
2 P+E socket outlets with child protection.
USB Type C socket: for recharging portable devices such as phones, smartphones, tablets, MP3, MP4, loudspeakers, watches, game consoles, powerbanks.

Range

Designation	Cat. Nos.	Related Cover code
Mixed socket composed of:		
- 2 P+E socket outlet - 16 A - 250 V~	■ KS4140A16USB	■ KS68
- single USB type C socket with PD 18W	■ KB4140A16USB	■ KB68
	■ KC4140A16USB	■ KC68

Colours code:
■ Steel
■ Bronze
■ Champagne

Overall dimensions (mm)



Connection

- **2 P+E socket outlet**
Terminal Type: screw
Terminal capacity: 2 x 2.5 mm²
Stripping length: 11 mm
Flexible or rigid cables compatible
- **Type C USB socket**
Prewired socket

Caratteristiche tecniche

- **Mechanical characteristics:**
(considering a complete installation with cover plate and holder)
 - Protection against solid bodies and liquids: IP20D
 - Protection against impact: IK04
- **Material characteristics:**
 - Mechanism casing : PC (polycarbonate)
 - Halogen Free
 - UV resistant
 - Self-extinguishing:
850°C/30s for insulating parts holding live parts in place;
650°C/30s for other parts made of insulating materials.
- **Climatic characteristics:**
 - Storage temperature: -10° C a +70° C
 - Use temperature: -5° C a +35° C
- **Electrical characteristics 2 P+E socket**
 - Voltage: 250 V~
 - Current: 16 A
 - Frequency: 50/60 Hz
- **Electrical characteristics USB socket**

Integrated surge protection.
Power Delivery max 18W.

All values listed below are measured at an ambient temperature of + 25° and after 15 minutes of operation.

Connector	USB Type C		
Nominal input voltage	230 V~		
Nominal input frequency	50-60 Hz		
Nominal input current	160mA		
Stand-by power consumption	0.05 W - 0.2 mA		
Nominal output voltage	5 V _± , 9V _± , 12V _±		
Nominal output current	3.0 A, 2.0 A, 1.5 A		
Efficiency can meet energy star level "VI" (≥ 76% measured at USB socket output side)			
Safety standard	EN62368-1		
Protection class	II - Bassa tensione		
Overvoltage category	CAT III (IEC 60364-4-44)		

Performance characteristics at 230 V /50 Hz:

Output voltage USB-C	5V DC	9V DC	12V DC
Average in active mode	87.2%	88.2%	87.9%
Low load (10%)	90.9%	86.5%	81.1%
No load consumption	0.050 W		

2P+E + USB type C with PD 18W mixed socket outlet**Installazione**

- **Before carrying out the installation, read the instructions and take account of the product's specific mounting location.**



- **This product should be installed in compliance with installation rules, preferably by a qualified electrician. Incorrect installation and/or incorrect use can lead to risk of electric shock or fire.**
- The device must be installed in flush or surface mounting boxes with mounting frame and cover plates of LIVING NOW range.
- The device must be installed only indoor.
- The device must be installed at a height under 2 m . (Class. MS1).
- The device must be installed far from sources of heat.
- An easily accessible omnipolar cut-off switch with a contact gap of at least 3 mm must be installed upstream of the power supply.
- For wiring use cables that comply with standards IEC60332-1-2, IEC60332-1-3 e/o IEC 60332-2-2.
- Do not open up, dismantle, alter or modify the device except where specifically required to do so by the instructions. All Bticino products must be opened and repaired exclusively by personnel trained and approved by Bticino. Any unauthorised opening or repair completely cancels all liabilities and the rights to replacement and guarantees. Use only Bticino brand accessories.

Cleaning

Clean the surface with a cloth.
Do not use acetone, tar-removing cleaning agents or trichloroethylene.

Caution: Always test before using special cleaning products.

The plates must not be painted.

Standards and approvals

Compliant with installation and manufacturing standards.
See e-catalogue.