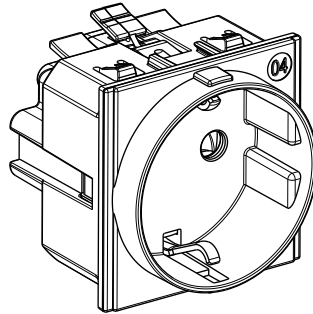


German standard socket 2 P+E 16 A 250 V



Use

German standard socket 2 P+E 16 A 250 V socket with earth side contacts - shielded tulip contacts - with automatic clamps

Connection

- Automatic clamps
Terminal capacity: 2,5mm²
Stripping length: 13mm

Range

Designation	Item	Related cover
German standard socket 2 P+E 16 A 250 V	<input type="checkbox"/> KW4141A	<input type="checkbox"/> KW04
	<input checked="" type="checkbox"/> KG4141A	<input checked="" type="checkbox"/> KG04
	<input type="checkbox"/> KM4141A	<input type="checkbox"/> KM04
	<input type="checkbox"/> KS4141A	<input type="checkbox"/> KS04
	<input type="checkbox"/> KB4141A	<input type="checkbox"/> KB04
	<input type="checkbox"/> KC4141A	<input type="checkbox"/> KC04

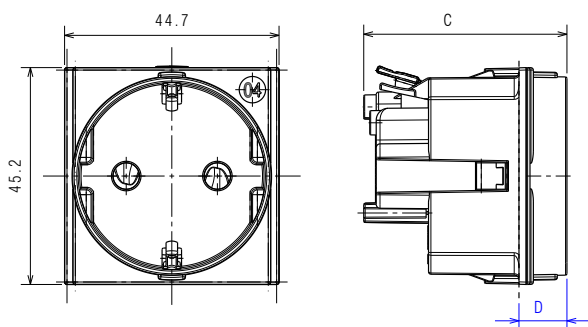
Colours code:

<input type="checkbox"/> White	<input type="checkbox"/> Steel
<input checked="" type="checkbox"/> Black	<input type="checkbox"/> Bronze
<input type="checkbox"/> Sand	<input type="checkbox"/> Champagne

Technical characteristics

- Protection index**
IP: 20D considering complete installation
- Material characteristics**
Satin appearance.
Material:
Socket body: PC
Halogen free.
UV resistant.
Self-extinguishing:
850° C / 30 s for insulating parts holding live parts in place
650° C / 30 s for other parts made of insulating materials
- Electrical characteristics**
Voltage: 250 VAC
Current: 16 A
- Climatic characteristics**
Storage and operating temperatures: - 5° C to + 35° C

Overall dimensions (mm)



A	B	C	D
45.2	44.7	42.35	31

Cleaning

Clean the surface with a cloth.
Do not use acetone, tar-removing cleaning agents or trichloroethylene.
Caution: Always test before using special cleaning products.

Standards and approvals

Compliance with standards of installation and manufacturing.
Refer to e.catalogue.