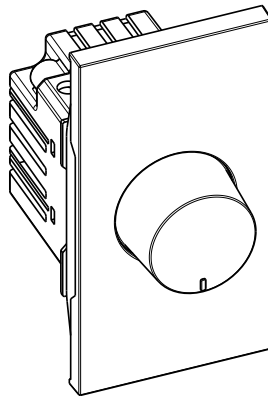


**Fan Step Regulator 2M 100W**



**Use**

Ceiling Fan controller for lower power ceiling fans (typically 70-90W).  
No. of steps: 5  
Overcurrent protection on fan controller line must be max 4 A.

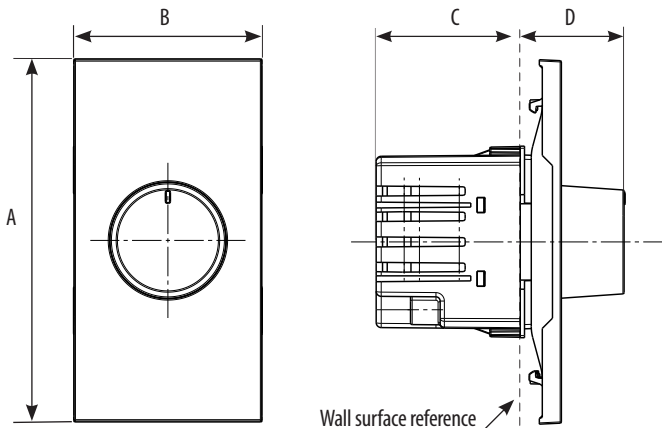
**Range**

Designation	Cat. No.
Fan controler 240V 100W 50Hz - The cover of the selected colour is supplied in the same box as the fan controller - for Indian std. installations - 2 module	<ul style="list-style-type: none"> <li>■ KS4017</li> <li>■ KB4017</li> <li>■ KC4017</li> </ul>

**Colours code:**

- Steel
- Bronze
- Champagne

**Overall dimensions (mm)**



	A	B	C	D
<b>K.4017</b>	86	44,7	34	24,5

**Connection**

Terminal type: screw terminals

**Technical characteristics**

**- Protection Index**

(considering a complete installation, including cover plate)  
Penetration by solid bodies/liquid: IP40D

**- Mechanical characteristics**

Impact test: IK 04

**- Material characteristics**

Top plate, knob and base: PC (Polycarbonate)  
UV resistant

Self-extinguishing:

850° C / 30 s for insulating parts holding live parts in place  
650° C / 30 s for other parts made of insulating materials

**- Electrical characteristics**

Voltage: 240 V a.c.

Watts: 100 W

**- Climatic characteristics**

Storage temperature: - 10° C to + 70° C

Use temperature: - 5° C to + 35° C

**Cleaning**

Clean the surface with a cloth.

Do not use acetone, tar-removing cleaning agents or trichloroethylene.

**Caution:** Always test before using special cleaning products.

**Standards and approvals**

Compliance with standards IS 11037, IEC 60669-2-1

Refer to e.catalogue.