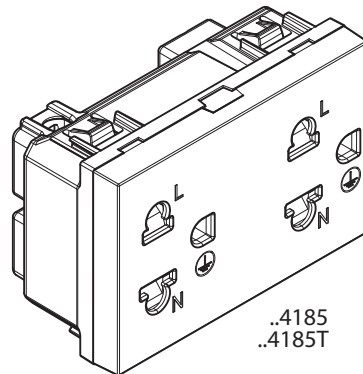


Socket outlets - Euro-American standard



Use

Socket outlets for: Euro-American standard plugs.

Range

Designation	Item	Related cover
Socket duplex 2P+T 15 A 127/250 V a.c. shielded holes without frontal Marking (LN ground)	■ KS4185	■ KS52
	■ KB4185	■ KB52
	■ KC4185	■ KC52
Socket duplex 2P+T 15 A 127/250 V a.c. shielded holes	■ KS4185T	■ KS52
	■ KB4185T	■ KB52
	■ KC4185T	■ KC52

Colours code:
 ■ Steel
 ■ Bronze
 ■ Champagne

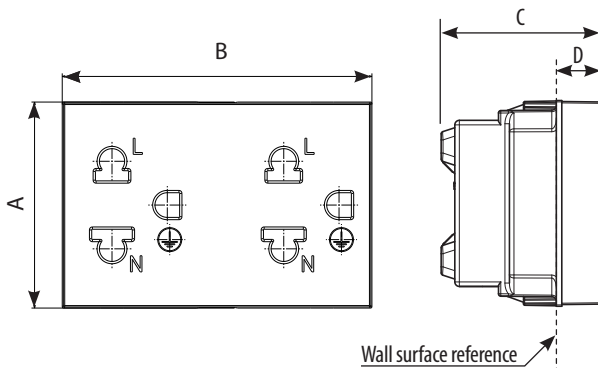
Connection

Terminal type: screw clamp
 Terminal capacity: 2 x 4 mm² max
 Stripping length: 11 mm
 Compatible with flexible or rigid cables

Technical characteristics

- **Protection index**
 (considering a complete installation, including cover plate)
 Penetration by solid bodies/liquid: IP20D considering complete installation
- **Mechanical characteristics**
 Impact test: IK 04
- **Material characteristics**
 Material:
 Case and Key cover: PC (Polycarbonate)
 Halogen free.
 UV resistant.
 Self-extinguishing:
 850° C / 30 s for insulating parts holding live parts in place
 650° C / 30 s for other parts made of insulating materials
- **Electrical characteristics**
 Voltage: 127/250 VAC
 Current: 16 A
- **Climatic characteristics**
 Storage temperature: - 10° C to + 70° C
 Use temperature: - 5° C to + 35° C

Overall dimensions (mm)



	A	B	C	D
..4185/..4185T	45.2	67.3	34	10

Cleaning

Clean the surface with a cloth.
 Do not use acetone, tar-removing cleaning agents or trichloroethylene.
Caution: Always test before using special cleaning products.

Standards and approvals

Compliance with standards IEC 60884-1
 Refer to e.catalogue.