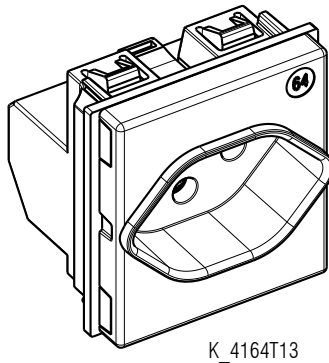
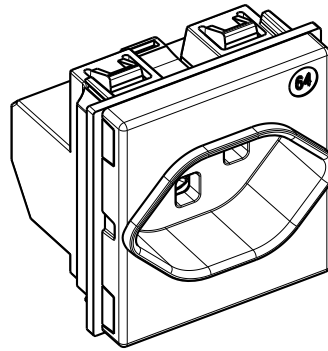


**Socket outlet - Swiss standards**



K\_4164T13



K\_4164T23

**Use**

Socket outlets: Swiss standards.

**Connection**

Terminal type: automatic clamps  
Terminal capacity: 2 x 2.5mm<sup>2</sup>  
max Stripping length: 12 mm

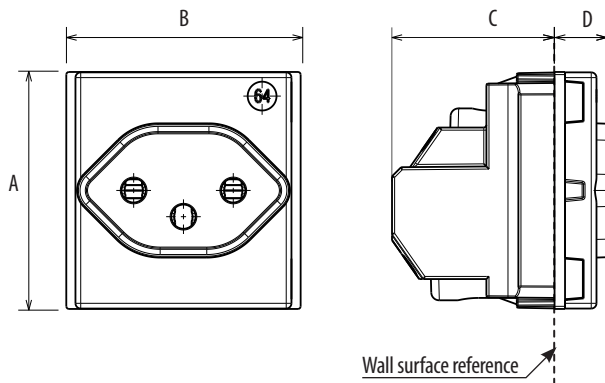
**Range**

Designation	Cat. No.	Related Cover Codes
2 P+E 10 A 250 Vac socket Type 13 shielded tulip contact Ø 4 mm	■ KS4164T13	■ KS64
	■ KB4164T13	■ KB64
	■ KC4164T13	■ KC64
2 P+E 16 A 250 Vac socket Type 23 shielded tulip contact Ø 4 mm	■ KS4164T23	■ KS64
	■ KB4164T23	■ KB64
	■ KC4164T23	■ KC64

**Colours code:**

■ Steel ■ Bronze ■ Champagne

**Overall dimensions (mm)**



	A	B	C	D
<b>K.4164T13</b>	45	45	30	10
<b>K.4164T23</b>	45	45	30	10

**Technical characteristics**

- **Protection index**  
(considering a complete installation, including cover plate)  
Penetration by solid bodies/liquid: IP20D
- **Mechanical characteristics**  
Impact test: IK 04
- **Material characteristics**  
Material:  
Case and Key cover: PC (Polycarbonate)  
Halogen free.  
UV resistant.  
  
Self-extinguishing:  
850° C / 30 s for insulating parts holding live parts in place  
650° C / 30 s for other parts made of insulating materials
- **Electrical characteristics**  
Voltage: 250V a.c.  
Current: K.4164T13 10A  
K.4164T23 16A
- **Climatic characteristics**  
Storage temperature: - 10° C to + 70° C Use  
temperature: - 5° C to + 35° C

**Cleaning**

Clean the surface with a cloth.  
Do not use acetone, tar-removing cleaning agents or trichloroethylene.  
**Caution: Always test before using special cleaning products.**

**Standards and approvals**

Compliance with standards IEC/EN 60884-1  
Refer to e.catalogue.