

Extensions BTRE3632DB – 3633DB – 3635DB
3632GB – 3633GB – 3635GB**Use**

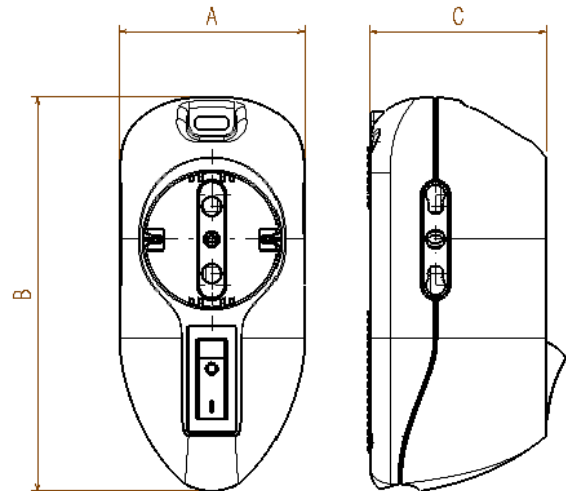
Extension socket 10/16A 250V with safety switch.
To connect up to 3 multi-standard sockets.

Connection

Plug 10A or 16A Italian standard.
Length of cable from 3 meters to 5 meters
Socket 10/16A multi-standard sockets.

Range

ITEM	DESIGNATION
3632DB	Multi-socket with 3 sockets 2P+T (10/16A) multi-standard, SAFE switch, white, 3 meters cable length
3632GB	Multi-socket with 3 sockets 2P+T (10/16A) multi-standard, SAFE switch, grey
3633DB	Multi-socket with 3 sockets 2P+T (10/16A) multi-standard, switch, white
3633GB	Multi-socket with 3 sockets 2P+T (10/16A) multi-standard, switch, grey
3635DB	Multi-socket with 3 sockets 2P+T (10/16A) multi-standard, switch, white
3635GB	Multi-socket with 3 sockets 2P+T (10/16A) multi-standard, switch, grey

Dimension

A	B	C
53	113	51

Technical characteristics**Protection index**

Penetration by solid bodies/liquid: IP20.

Material characteristics:

Cover: Polypropilene.

Glow-wire performances:

850° C / 30 s for insulating parts holding live parts in place.

650° C / 30 s for other parts made of insulating materials.

Electrical characteristics:

Voltage: 250 V ~

Frequency: 50 / 60 Hz

Current: input 16A. (10A only for 3632xD series).

Max power: 3500W (2500W only for 3632xD series)

SAFE switch 10A 250V ~

Climatic characteristics:

Storage temperature: -10° C to + 70° C

Use temperature: - 5° C to + 35° C.

Cleaning

Clean the surface with a cloth.

Do not use acetone, tar-removing cleaning agents or trichloroethylene.

Caution: Always test before using special cleaning products.

Standards and approvals

Compliance with standards:

CEI 23-50, CEI 23-124

IEC 60884-2.7

Refer to e.catalogue