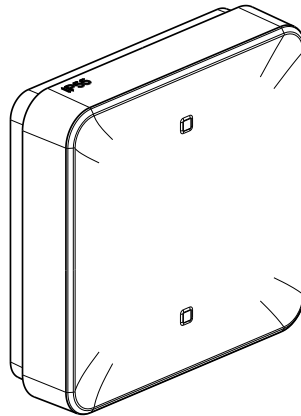


**Waterproof connected wireless batteryless ON/OFF control**

**28003CWG**



**1. USE**

Wireless batteryless control for ON/OFF lighting functions or connected power outlet functions.  
 Only for controlling a "...with Netatmo" connected lighting switch, lighting micromodule, cable outlet and power outlet.  
 It can be used as a two-way switch or to control a lighting group.  
 The IP55 waterproofness allows you to control lighting or an electrical appliance in a room subject to humidity or dust (garage, cellar, workshop, kitchen, etc.) as well as outdoors (terrace, etc.). It can be fixed directly to a wall or placed on (movable) furniture.  
 It can be associated up to 20 connected products.

**2. RANGE**

Waterproof wireless batteryless lighting control, for an ON/OFF function. 28003CWG

**3. TECHNICAL CHARACTERISTICS**

**3.1 Mechanical characteristics**

Mechanical handling: 1 000 000 operations  
 Impact protection : IK 06  
 Protection against solid/liquid bodies : IP 55

**3.2 Material characteristics**

Case : PC  
 Key cover : ABS-MD  
 Internal actuator : PC-10% fiberglass + SEBS  
 Mechanism box charged PBT 10 % fiberglass with support charged PC 10% fiberglass  
 Halogen free  
 UV resistant  
 Self-extinguishing : 650° C / 30 s

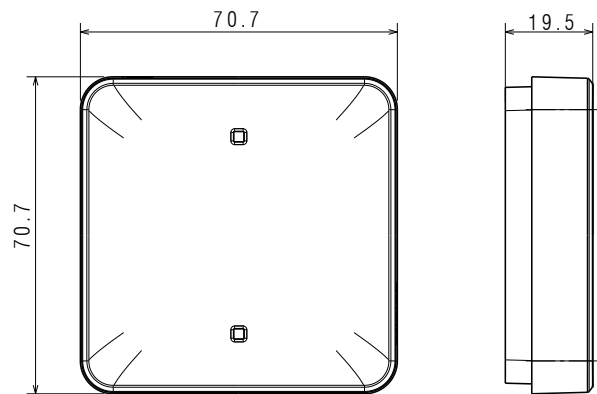
**3.3 Electrical characteristics**

Self powered  
 Radio technology zigbee frequency 2,4 GHz to 2,4835 GHz  
 RADIO Performance : Minimum range 150 m in point-to-point link and free field  
 Power level : <10 dBm / 10mW  
 Zigbee channel by default : 11  
 Technology: Zigbee PRO Certified, Green Power feature (bidirectional communication : not supported).  
 IEEE 802.15.4 (LR-WPAN).

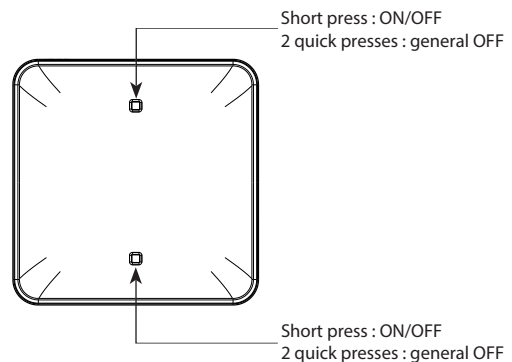
**3.4 Climatic characteristics**

Use temperature : + 5° C to + 45° C  
 Storage temperature : 0° C to + 45° C

**4. DIMENSIONS (MM)**



**5. OPERATION**



**Note:** to program this product, refer to the instructions of use.

**6. CARE**

Clean the surface with a cloth.  
 Do not use acetone, tar-removing cleaning agents or trichloroethylene.  
 Resistant to the following products: Hexane (EN 60669-1), methylated spirit, soapy water, diluted ammonia, bleach diluted to 10%, window-cleaning products, pre-impregnated wipes.

**Caution :** Always test before using special cleaning products, a prior test is required

Must not be painted.

## 8. STANDARDS AND APPROVALS

### 8.1 EU DECLARATION OF CONFORMITY

The undersigned, BTICINO, declares that the radio-electric equipment type (28003CWG) complies with directive 2014/53/EU. The full text of the EU declaration of conformity is available on the following website: [www.bticino.com](http://www.bticino.com)

### 8.2 FCC/IC CONFORMITIES

**FC** FCC ID: 2ACN8-ZLGP1X IC: 12132A-ZLGP1X MODEL : ZLGP17

This device contains licence-exempt transmitter(s)/receiver(s) that comply with FCC RF and Innovation, Science and Economic Development Canada's licence-exempt RSS(s). Operation is subject to the following two conditions: (1) this device may not cause interference, and (2) This device must accept any interference, including interference that may cause undesired operation of the device.

This device complies with FCC and ISED radiation exposure limits set forth for general population. This device must not be co-located or operating in conjunction with any other antenna or transmitter.

FCC Caution: the user that changes or modifications not expressly approved by the party responsible for compliance could void the user's authority to operate the equipment.

FCC NOTE: This equipment has been tested and found to comply with the limits for a Class B digital device, pursuant to part 15 of the FCC Rules. These limits are designed to provide reasonable protection against harmful interference in a residential installation. This equipment generates, uses and can radiate radio frequency energy and, if not installed and used in accordance with the instruction, may cause harmful interference to radio communications. However, there is no guarantee that interference will not occur in a particular installation. If this equipment does cause harmful interference to radio or television reception which can be determined by turning the equipment off and on, the user is encouraged to try to correct interference by one or more of the following measures:

- Reorient or relocate the receiving antenna.
- Increase the separation between the equipment and receiver.
- Connect the equipment into an outlet on circuit different from that to which the receiver is connected.
- Consult the dealer or an experienced radio/TV technician for help.

### 8.3 CONNECTIVITY STANDARDS ALLIANCE'S CERTIFICATION

