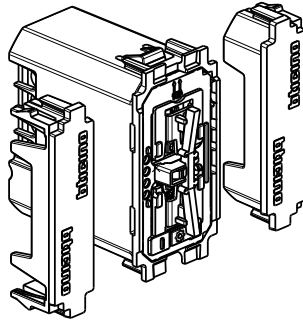
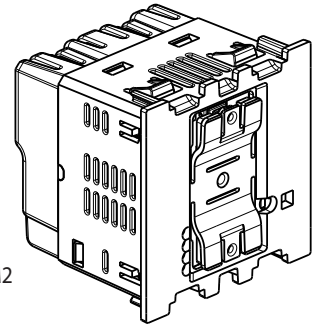


K4418



K4418M2

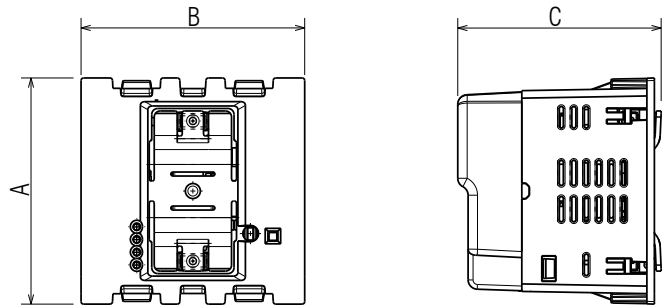
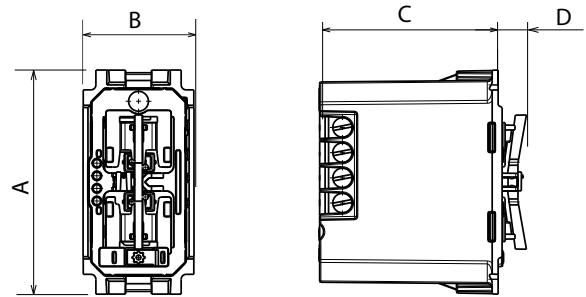


K4419M2

#### Use

Universal pushbutton dimmer, it can increase or reduce the light to create the right atmosphere. Configured by default as ON/OFF. Can be associated with one or several push-buttons (non illuminated type). Memory level function: lights come on again at the same lighting level as before they were last switch-off. Lower and upper thresholds setting.  
Easy to install in place of a standard switch in a box 40 mm deep (minimum).

#### Overall dimensions (mm)



	A	B	C	D
K4418	45.2	22.3	34.8	6.9
K4418M2	45.2	44.7	34.8	6.9
K4419M2	45.2	44.7	40.65	

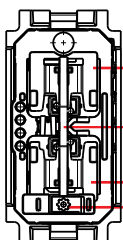
#### Range

Designation	Cat. No.	Related Cover Codes
For use in conjunction with the starter pack. Universal switch with neutral with dimmer option. Indicator/Locator function. For all types of lamps: - Dimmable LEDs and CFLs: 0 to 150 W (15 lamps max.) - Halogen, incandescent 230 V~: 0 to 150 W - Halogen with ferromagnetic or electronic transformer: 0 to 150 VA. Standby consumption < 5 mW. - 1 module	■ K4418	<input type="checkbox"/> KW01N <input type="checkbox"/> KM01N <input checked="" type="checkbox"/> KG01N
As above - 2 modules	■ K4418M2	<input type="checkbox"/> KW01M2N <input type="checkbox"/> KM01M2N <input checked="" type="checkbox"/> KG01M2N
As above, 2 wires. - 2 modules	■ K4419M2	<input type="checkbox"/> KW01M2P <input type="checkbox"/> KM01M2P <input checked="" type="checkbox"/> KG01M2P

Colours code:  White  Sand  Black

#### Operation

Front view



#### Legend

1. Control Pushbutton
2. LED indicator: useful during installation
3. RESET pushbutton: used to return to factory settings

#### Connection

Terminal type: screw  
Terminal capacity: 2 x 1.5 mm<sup>2</sup> or 2 x 2.5 mm<sup>2</sup>  
Stripping length: 7 mm  
Screwdriver: 3 mm flat

**Technical characteristics**

**- Mechanical characteristics**

Protection against impacts: IK 04  
Protection against solid bodies/liquids: IP 20D without plate and rockerplate

**- Material characteristics**

Mechanism casing: PC  
Halogen-free  
UV resistant  
Self-extinguishing: + 850°C/30 s for insulating parts holding live parts in place.  
+ 650°C/30 s for the other insulating components.


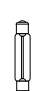


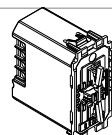
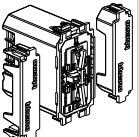
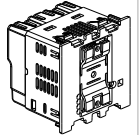
**- Electrical characteristics**

Frequency: 50/60 Hz  
Standby consumption: 0,7 W

**Technical characteristics**

**- Climatic characteristics**

Storage temperature: -10°C a +70°C  
Use temperature: -5°C a +35°C

	Type	Ergonomic	Items	Voltage:	Incandescent and halogen 	Halogen with electronic transformer 	Compact fluorescent 	Led lamp 
	Universal push neutral 1 mod.	Push	K4418	240 V 100 V	150 W 75 W	150 W 75 W	150 W 75 W	150 W 75 W
	Universal push neutral 2 mod.	Push	K4418M2	240 V 100 V	150 W 75 W	150 W 75 W	150 W 75 W	150 W 75 W
	Universal push without neutral 2 mod.	Push	K4419M2	240 V 100 V	150 W 75 W	150 W 75 W	150 W 75 W	150 W 75 W

(\*)For a good light confort, it is recommended to use bulbs of the same manufacturer.  
The switch with neutral (with dimmer option) work with standard and dimmable bulbs including LED.  
LED dimmable bulbs are mandatory for an optimal dimmer usage.

**Standards and approvals**

Compliant with installation and manufacturing standards. See e-catalogue.  
The undersigned, BTICINO, declares that the radio-electricequipment type (K4418- K4418M2- K4419M2) complies with directive EC/EN 60669-1.  
The full text of the EU declaration of conformity is available on the following website:  
[www.bticino.it/red](http://www.bticino.it/red)

**Cleaning**

Clean the surface with a cloth.  
Do not use acetone, tar-removing cleaning agents or trichloroethylene.  
**Caution: Always test before using special cleaning products.**

The plates must not be painted.



RAEE/WEEE: [bticino.com/disposal](http://bticino.com/disposal)