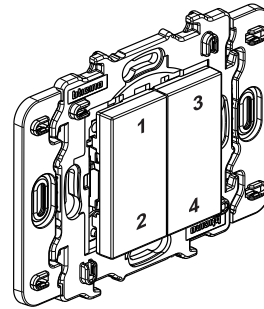
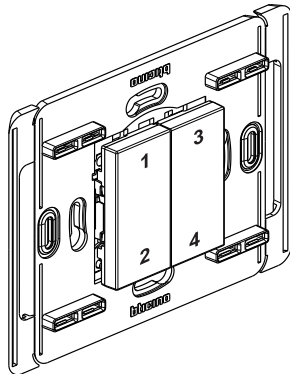


Wireless batteryless 4 scenes control

**JW4575CWG - JG4575CWG- JB4575CWG
YW4575CWG - YD4575CWG- YG4575CWG**



1. USE

Wireless, batteryless control for lighting double scenes fonction. Controls the connected lighting micromodules, socket-outlets, dimmerswitches and roler shutters.

- Can be fixed directly to a wall, screwed to an electric flush mounting box or placed on a cabinet.
- Can be combined in multigangs with other wiring devices.
- Can control up to 20 connected products

2. RANGE

Delivered without cover plate.

Equipped with a configuration button.

Repositionable self-adhesive stickers (x2 supplied)

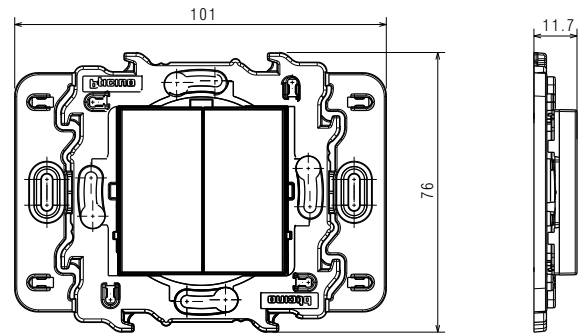
Wireless batteryless control

- JW4575CWG
- JG4575CWG
- JB4575CWG

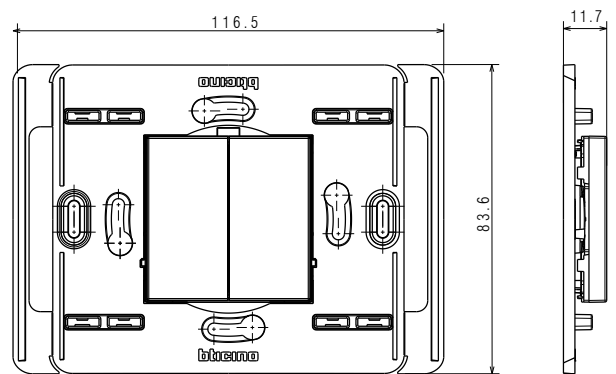
Wireless batteryless control

- YW4575CWG
- YG4575CWG
- YD4575CWG

3. DIMENSIONS (MM)

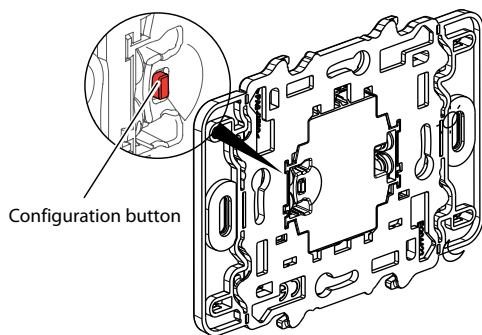
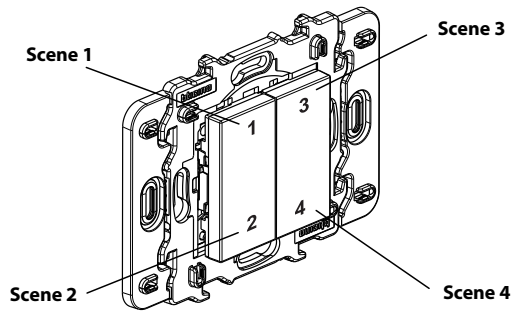


Light NOW



Matix GO

4. OPERATION



5. TECHNICAL CHARACTERISTICS

5.1 Mechanical characteristics

Impact protection : IK 02
Protection again solid/liquid bodies : IP 20 without plate
IP 40 assembled product

5.2 Material characteristics

Rocker :
white : ABS
Color : ABS + paint
Mechanism box charged PBT 10 % fiberglass with support charged
PC 10% fiberglass
Halogen free
UV resistant
Self-extinguishing : 650° C / 30 s

5.3 Electrical characteristics

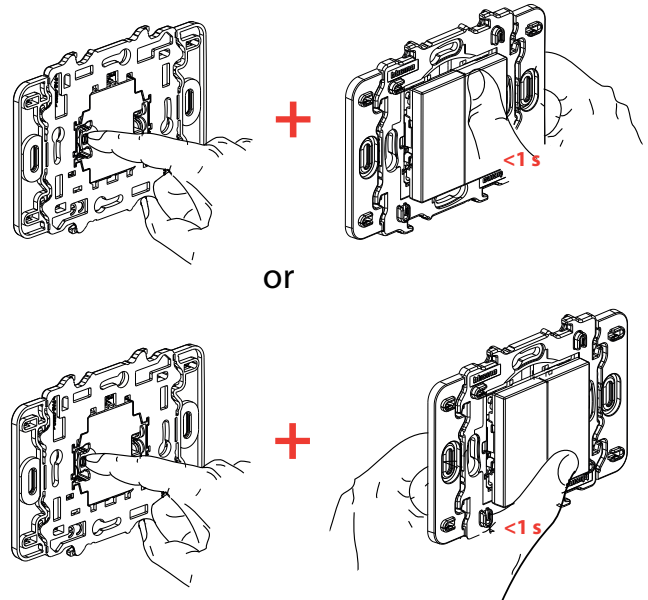
Self powered
Radio technology zigbee frequency 2,4 GHz to 2,4835 GHz
RADIO Performance : Minimum range 150 m in point-to-point link and
free field
Power level : < 20 mW
Zigbee channel by default : 11
Technology: Zigbee PRO Certified, Green Power feature (bidirectional
communication : not supported)

5.4 Climatic characteristics

Use temperature : + 5° C to + 45° C
Storage temperature : 0° C to + 45° C

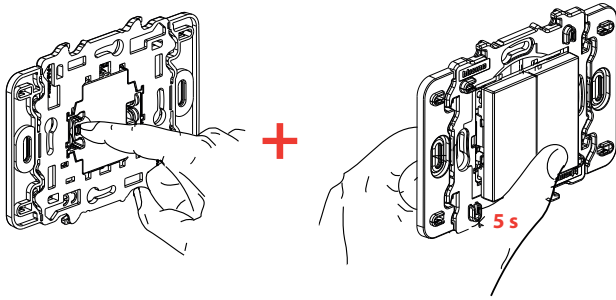
6. SETUP

6.1 ASSOCIATION



While holding the «setup» button on the wireless, batteryless control, briefly press the «1», «2», «3» or «4» button on the wireless batteryless control.

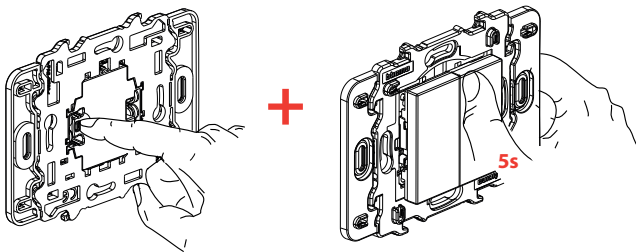
6.2 CHANNEL CHANGE



While holding the «setup» button on the wireless, batteryless control, press the lower button on the wireless batteryless control for 5 seconds.

Details and order of channel changes : (FACTORY : 11) 15, 20, 25, 12, 13, 14, 16, 17, 18, 19, 21, 22, 23, 24, 26, 11, 15, 20, ...

6.3 BACK TO FACTORY MODE (DISASSOCIATION + BACK ON CHANNEL 11)



While holding the «setup» button on the wireless, batteryless control, press the upper button for 5 seconds. Check that your control is correctly reset by pressing «3» and then «4».

Additional Zigbee documentation is available at «developer.legrand.com».

7. CARE

Clean the surface with a cloth. Do not use acetone, tar-removing cleaning agents or trichloroethylene.

Resistant to the following products: Hexane (EN 60669-1), methylated spirit, soapy water, diluted ammonia, bleach diluted to 10%, window-cleaning products, pre-impregnated wipes.

Caution : Always test before using special cleaning products, a prior test is required

Must not be painted.

8. STANDARDS AND APPROVALS

8.1 EU DECLARATION OF CONFORMITY

The undersigned, BTICINO , declares that the radio-electric equipment type (JW4575CWG - JG4575CWG - JB4575CWG YW4575CWG - YD4575CWG- YG4575CWG) complies with directive 2014/53/EU. The full text of the EU declaration of conformity is available on the following website: www.bticino.com

8.2 FCC/IC CONFORMITIES

FC FCC ID: 2ACN8-ZLGP1X IC: 12132A-ZLGP1X MODEL : ZLGP15

This device contains licence-exempt transmitter(s)/receiver(s) that comply with FCC RF and Innovation, Science and Economic Development Canada’s licence-exempt RSS(s). Operation is subject to the following two conditions: (1) this device may not cause interference, and (2) This device must accept any interference, including interference that may cause undesired operation of the device.

This device complies with FCC and ISED radiation exposure limits set forth for general population. This device must not be co-located or operating in conjunction with any other antenna or transmitter. FCC Caution: the user that changes or modifications not expressly approved by the party responsible for compliance could void the user’s authority to operate the equipment.

FCC NOTE: This equipment has been tested and found to comply with the limits for a Class B digital device, pursuant to part 15 of the FCC Rules. These limits are designed to provide reasonable protection against harmful interference in a residential installation. This equipment generates, uses and can radiate radio frequency energy and, if not installed and used in accordance with the instruction, may cause harmful interference to radio communications. However, there is no guarantee that interference will not occur in a particular installation. If this equipment does cause harmful interference to radio or television reception which can be determined by turning the equipment off and on, the user is encouraged to try to correct interference by one or more of the following measures:

- Reorient or relocate the receiving antenna.
- Increase the separation between the equipment and receiver.
- Connect the equipment into an outlet on circuit different from that to which the receiver is connected.
- Consult the dealer or an experienced radio/TV technician for help.

8.3 CONNECTIVITY STANDARDS ALLIANCE’S CERTIFICATION



certified by connectivity standards alliance

Model : ZLGP15