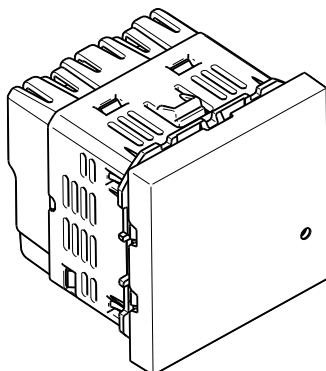


Connected rolling shutter switch

1. USE

Connected rolling shutter switch for controlling a shutter locally or remotely. Compatible with all standard rolling shutter motors (with a mechanical or electromechanical stop and max power 500 VA) controlled by a wired shutter switch (switching of the same motor power supply). not compatible with motors for radio-controlled or pulse-controlled roller shutters. It can be associated with one or more wireless commands.

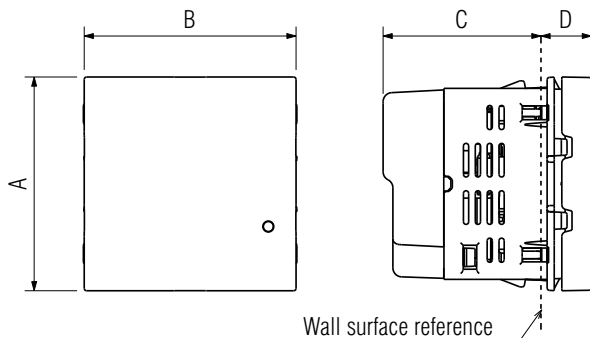
Caution: Must be connected to the neutral.
 Power supply 100/240 Vac - 2 modules.

2. RANGE

Designation	Cat. Nos.
Connected switch for roller shutters supplied complete. Equipped with an LED indicator. Hidden reset button used to return to factory settings.	<input type="checkbox"/> RW4027CM2N <input type="checkbox"/> RA4027CM2N <input type="checkbox"/> RG4027CM2N

Colours code:

- White
- Aluminum
- Black

3. DIMENSIONS (mm)


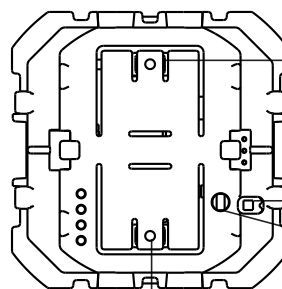
A	B	C	D
45,1	45	33,3	10,6

4. CONNECTION

Terminal type : screw
 Terminal capacity: 2 x 1.5 mm² or 2 x 2.5 mm²
 Stripping length:
 8 mm flat screwdriver: 3 mm

5. OPERATION

Integrated timing for up/down reversals = 500 ms



- short press rises to the top
- prolonged press rises until release
- BSO mode: long press orients the slats

LED indicator:
 useful during installation

RESET Pushbutton

- short press goes down
- prolonged press goes down until release
- BSO mode: long press orients the slats

6. TECHNICAL CHARACTERISTICS
■ 6.1 Mechanical characteristics

Protection against impacts: IK 04
 Protection against solid bodies/liquids: IP 20 without plate and rocker-plate

■ 6.2 Material characteristics

Mechanism casing: PC
 Halogen-free
 UV resistant
 Self-extinguishing:
 + 850°C/30 s for insulating parts holding live parts in place.
 + 650°C/30 s for the other insulating components.

Connected rolling shutter switch

6. TECHNICAL CHARACTERISTICS *(continued)*

6.3 Electrical characteristics

Tension : 110-230 V~
Intensité : 2 A
Puissance : 500 W
Consommation en veille : 0,1 mA

Zigbee technology 2.4 GHz to 2.4835 GHz

Power level: REC 70-03: < 20 dBm
Range: 200 m of unobstructed space
10 m between products

6.4 Climate characteristics

Storage temperature: 0°C to +45°C
Usage temperature: +5°C to +45°C

7. CARE

Clean the surface with a cloth.
Do not use acetone, tar-removing cleaning agents or trichloroethylene.
Resistant to the following products: Hexane (EN 60669-1), methylated spirit, soapy water, diluted ammonia, bleach diluted to 10%, window-

Caution: Always test before using special cleaning products.

cleaning products, pre-impregnated wipes.
The plates must not be painted.

9. STANDARDS AND APPROVALS

Compliant with installation and manufacturing standards.
See e-catalogue.

The undersigned, BTICINO, declares that the radio-electric equipment type (RW/RA/RG4027CM2N ...) complies with directive 2014/53/EU. The full text of the EU declaration of conformity is available on the following website: www.bticino.it/red