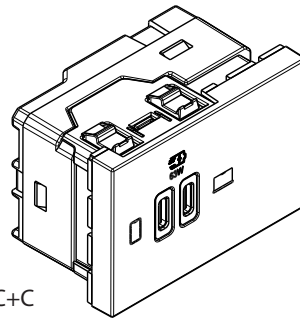


MatixGo

Charger USB - 63W - Type C+C Power Delivery

JW4395CC - JG4395CC - JB4395CC



Type-C+C

Use

USB to charge portable devices such as phones, smartphone, MP3 or MP4 tablet, speakers, watches, game consoles, powerbanks. Ottimizza la velocità di ricarica dei terminali Power Delivery.

USB Power Delivery is a new fast charging technology integrated into iOS/Apple e Android/Google device.

Technology that allows a faster charger level than conventional technology, operating through an exchange between the terminal and the charger.

Range

Description

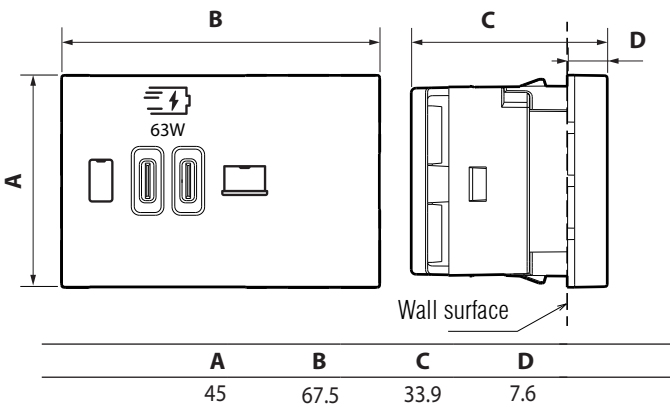
USB charger with two type C ports for charging electronic device up to 20W. It allows the fast charging of portable device (tablets, Smartphones) equipped with power delivery technology.
Output voltage : 5 - 9 - 12 - 15 - 20 Vdc
DIRECT Power supply 220-240 V - 50-60 Hz
3 modules

Item

- JW4395CC
- JG4395CC
- JB4395CC

Colore: Bianco Grigio Nero

Dimensions (mm)



Connection

Type of terminals: automatic
Capacità del morsetto: 2 x 2.5 mm²
LStripping length: 6 mm
Compatibile with flexible and rigid wire
Circuit breaker: MAX. 16A

Imperative safety precautions:



Switch OFF the power at the main circuit breakers. Make sure that the power is OFF before continuing with installation.

Technical characteristics

Protection index:

(Assembly complete cover-plate - supporting frame)

- Penetration by solid bodies and liquid : IP40
- Impact test: IK 04

Material characteristics:

- Case: PC classe V-0
- Cover : PC classe V-0
- Halogen Free
- UV-resistant
- Self-extinguishing :

85°C/30s For insulating part that keep in position parts in tension

65°C/30s For other parts of insulating materials

Electrical characteristics :

All values listed below are measured at an ambient temperature of + 20° and after 30 minutes of operation.

Nominal input voltage	220-240 V~
Nominal input frequency	50/60 Hz
Nominal input current	0.8 A
Max nominal output current	3.0 A(*)
Max output power	63 W
Nominal output voltage	5.0 V~*
Average efficiency in active mode	81%
Stand-by power consumption	< 0.3 W
Consumption class without load and average level of efficiency :	livello VI
Protection class	II - Low voltage

* Optimized voltage: 1 output

5.0 V~	3.0 A
9.0 V~	3.0 A
12.0 V~	3.0 A
15.0 V~	3.0 A
20.0 V~	3.0 A

* Optimized voltage: 2 outputs

5.0 V~	3.0 A	5.0 V~	3.0 A	5.0 V~	3.0 A
9.0 V~	3.0 A	9.0 V~	2.0 A		
12.0 V~	3.0 A	12.0 V~	1.5 A		
15.0 V~	3.0 A				
20.0 V~	2.2 A				

Climate characteristics :

- Storage temperature: from -20° C to +70° C
- Operating temperature: from -5° C to +40° C

Cleaning

Surface cleaning with a cloth.
Do not use: acetone, tar remover, trichloroethylene.

Caution:

Always test before using other special cleaning product

Standards and approvals

Compliant with installation and manufacturing standards.
See e.catalogue.