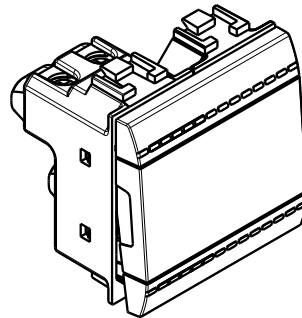


LIVING LIGHT

- One-way switches
- Two-way switches
- Pushbutton

L4001M2N-N4001M2N-NT4001M2N
L4003M2N-N4003M2N-NT4003M2N
L4005M2N-N4005M2N-NT4005M2N



..4001M2N
..4003M2N
..4005M2N

Use

Rocker control device for lighting and other loads.

Range

Designation	Item
One-way 1P 16AX - 250Va.c. lightable with led lamp (see table below) 2 modules	<input checked="" type="checkbox"/> L4001M2N <input type="checkbox"/> N4001M2N <input type="checkbox"/> NT4001M2N
Two-way 1P 16AX - 250Va.c. lightable with led lamp (see table below) 2 modules	<input checked="" type="checkbox"/> L4003M2N <input type="checkbox"/> N4003M2N <input type="checkbox"/> NT4003M2N
Pushbutton 1P (NO) 10A - 250Va.c. lightable with led lamp (see table below) 2 modules	<input checked="" type="checkbox"/> L4005M2N <input type="checkbox"/> N4005M2N <input type="checkbox"/> NT4005M2N

Colors: Anthracite White Tech

Connection

Terminal type: screw clamp
Terminal capacity: 2 x 4 mm² max
Stripping length: 9 mm
Compatible with flexible or rigid cables

Technical characteristics

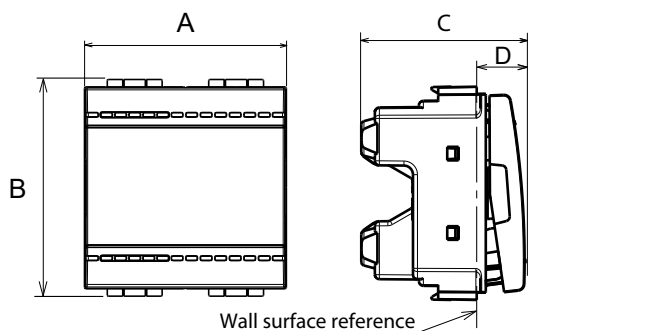
- **Protection index:**
(considering a complete installation, including cover plate)
 - Penetration by solid bodies/liquid: IP40
 - Impact test: IK04
 - **Material characteristics:**
 - Case: PC (polycarbonate)
 - Key cover: ABS
 - Halogen Free
 - UV resistant
 - Self-extinguishing:
- 850°C/30s for insulating parts holding live parts in place.
650°C/30s for other parts made of insulating material.

- **Electrical characteristics:**
 - Voltage: 250 V a.c.
 - Current: 16AX per ..4001M2N - ..4003M2N
 - Current: 10A per ..4005M2N
- **Climatic characteristics:**
 - Storage temperature: -10° C a +70° C
 - Use temperature: -5° C a +35° C

Led lamps used

LED Color	230 Va.c.	12/24 Va.c.
Ambra	LN4742V23	LN4742V12

Overall dimensions (mm)



	A	B	C	D
..4001M2N / ..4003M2N / ..4005M2N	43.8	43.8	36.5	11

Cleaning

Clean the surface with a cloth.
Do not use acetone, tar-removing cleaning agents or trichloroethylene.

Caution: Always test before using special cleaning products.

Standards and approvals

Compliance with standards IEC/EN 60669-1.
Refer to e.catalogue.