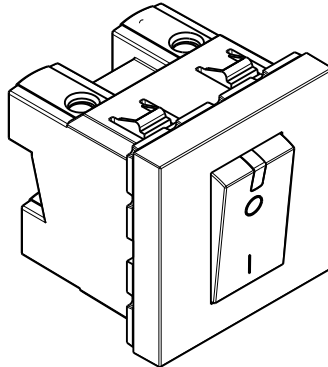


switch 32A 2P

Use

Control device for lighting and other loads.

Connection

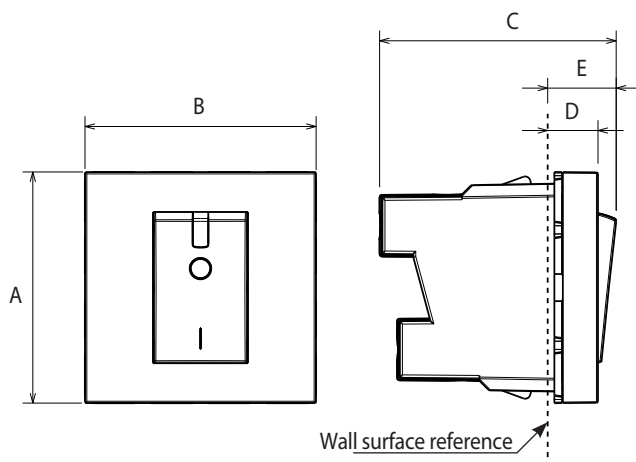
Terminal type: screw clamp
 Terminal capacity: 2 x 4 mm² 1 x 6 mm² max
 Stripping length: 10 mm
 Compatible with flexible or rigid cables

Range
Designation
Item

32 A - 250 Va.c. 2 P switch
 with integrated red led, not replaceable
 2 modules

- JW4011
- JG4011P
- JB4011P

Colors: White Grey Black

Overall dimensions (mm)


A	B	C	D	E
45.1	45	46.1	9.8	13.4

Technical characteristics

- **Protection index:**
 (considering a complete installation, including cover plate)
 - Penetration by solid bodies/liquid: IP40
 - Impact test: IK04
- **Material characteristics:**
 - Case : PC
 - Key cover : ABS
 - Halogen Free
 - UV resistant
 - Self-extinguishing:
 850°C/30s for insulating parts holding live parts in place.
 650°C/30s for other parts made of insulating material.
- **Electrical characteristics:**
 - Voltage: 250 V a.c.
 - Current: 32A
- **Climatic characteristics:**
 - Storage temperature: -10° C to +70° C
 - Use temperature: -5° C to +35° C

Cleaning

Clean the surface with a cloth.
 Do not use acetone, tar-removing cleaning agents or trichloroethylene.
Caution: Always test before using special cleaning products.

Standards and approvals

Conforme allo standard IEC/EN 60669-1, 2-2.
 Fare riferimento al catalogo online.