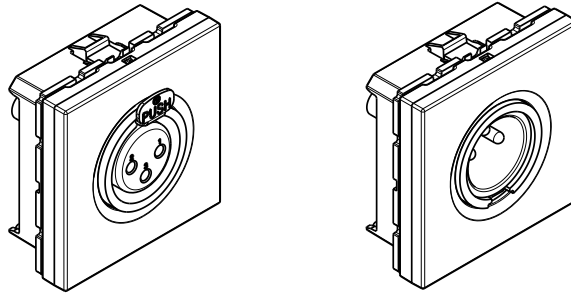


### Audio connector XLR 3 pin



#### Use

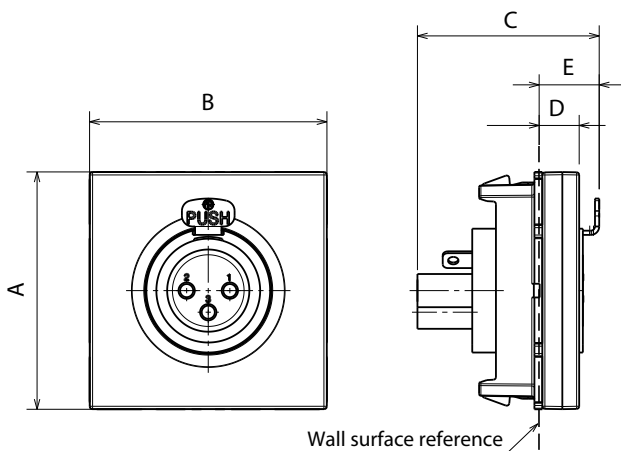
For connecting a microphone or a remote console to an amplifier. Audio stereo link to any peripheral, amplifier, mixing table, DVD player, camera, VTR, video conference equipment, etc.

#### Range

Designation	Item
Audio connector XLR 3 pin - female - 2 modules	<input type="checkbox"/> JW4295 <input checked="" type="checkbox"/> JG4295 <input checked="" type="checkbox"/> JB4295
Audio connector XLR 3 pin - male - 2 modules	<input type="checkbox"/> JW4296 <input checked="" type="checkbox"/> JG4296 <input checked="" type="checkbox"/> JB4296

Colors:  White  Grey  Black

#### Overall dimensions (mm)



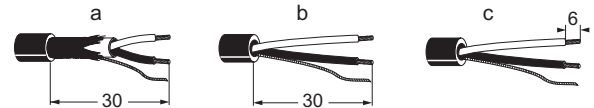
	A	B	C	D	E
..4495	45.1	45	34.5	7.6	11.4
..4496	45.1	45	31.4	7.6	

#### Connection

Wide terminal strip taking a 1 mm<sup>2</sup> conductor max.  
Supplied in a bag containing:  
- 1 Colring tie  
- ferrules to be crimped for conductor < 0.5 mm<sup>2</sup>  
- thermoformable sheaths  
Cable bend radius: 35 mm

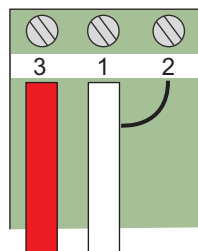
#### Stripping

Recommended wire: audio wire 2 x 0.22 mm<sup>2</sup> to 0.40 mm<sup>2</sup>.  
**a** - Cable unsheathing length: 30 mm.  
Drain wire of the cable's general shielding  
**b** - Remove the braid and the aluminium shielding tape **c** -  
Core stripping length: 6 mm.



#### Wiring

Tools required: flat-blade screwdriver 0.4 x 2.5 mm and flat-nose pliers.  
Insulate the drain wire using the neoprene sleeve supplied, thread it into the ferrule supplied and crimp it using the flat-nose pliers.  
Thread the cores into the ferrules supplied and crimp them using the flat-nose pliers.  
Start by wiring the drain wire, then the cores.  
Hold the cable mechanically using the cable clamp supplied.  
Follow the cabling instructions below:



- 1 - White hot spot
- 2 - Ground
- 3 - Red hot spot

**Audio connector XLR 3 pin**

**Technical characteristics**

- **Protection index:**  
(considering a complete installation, including cover plate)
  - Penetration by solid bodies/liquid: IP40
  - Impact test: IK04
- **Material characteristics:**
  - Key cover : ABS
  - Base: PC
  - Halogen Free
  - UV resistant
  - Self-extinguishing: 650°C/30s
- **Climatic characteristics:**
  - Storage temperature: -10° C a +70° C
  - Use temperature: -5° C a +35° C

**Cleaning**

Clean the surface with a cloth.  
Do not use acetone, tar-removing cleaning agents or trichloroethylene.

**Caution: Always test before using special cleaning products.**

**Standards and approvals**

Compliant with product and installation standard.

Refer to e.catalogue.